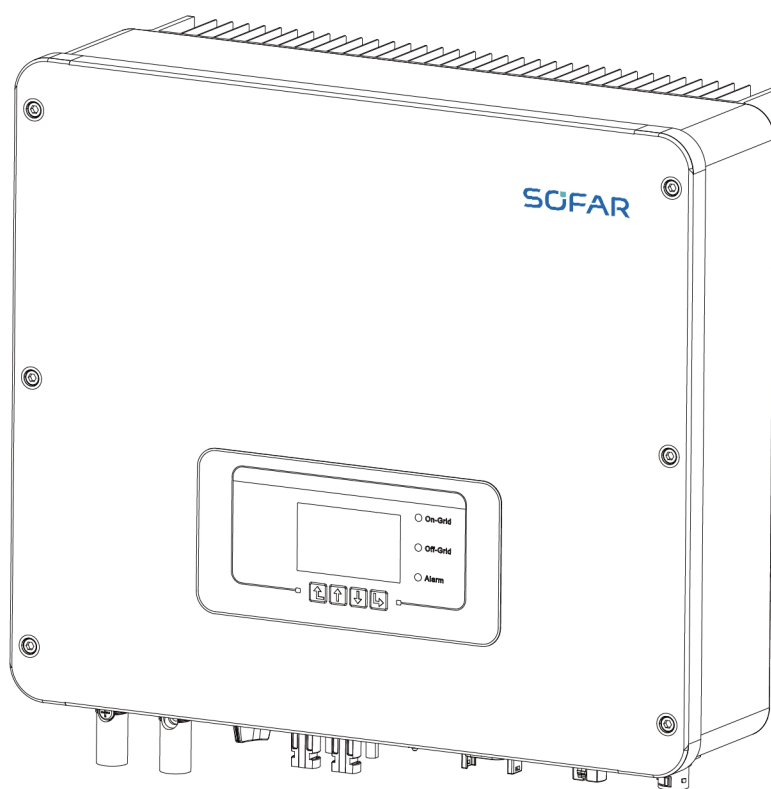


# USER MANUAL

HYD 3~6K-EP



## Content

Preface .....	II
1. Basic safety information .....	- 1 -
1.1. Safety instructions .....	- 1 -
1.2. Symbols and signs .....	- 4 -
2. Product characteristics .....	- 6 -
2.1. Product informations .....	- 6 -
2.2. Size description .....	- 7 -
2.3. Function characteristics .....	- 7 -
2.4. Electrical block diagram .....	- 7 -
3. Installation .....	- 9 -
3.1. Checking Before Installation .....	- 9 -
3.2. Product Overview .....	- 11 -
3.3. Tools .....	- 12 -
3.4. Installation Environment .....	- 13 -
3.5. Determining the Installation Position .....	- 13 -
3.6. Moving the HYD 3K~6K-EP .....	- 14 -
3.7. Installing HYD 3K~6K-EP .....	- 15 -
4. Electrical Connections .....	- 17 -
4.1. Wire instructions .....	- 18 -
4.2. Connecting PGND Cables .....	- 18 -
4.3. PV Connection .....	- 20 -
4.4. Battery Connection .....	- 21 -
4.5. Load connection .....	- 22 -
4.6. Grid connection .....	- 24 -
4.7. External communication interface .....	- 26 -
5. Buttons and indicator lights .....	- 35 -
5.1. Buttons .....	- 35 -
5.2. Indicator lights and status .....	- 35 -
6. Operation .....	- 36 -
6.1. Double Check .....	- 36 -
6.2. First Time Setup (IMPORTANT!) .....	- 36 -
6.3. Menu .....	- 39 -
7. Troubleshooting .....	- 53 -
8. Technical Data .....	- 60 -
9. Quality Assurance .....	- 67 -

## Notice

This manual contains important safety instructions that must be followed during installation and maintenance of the equipment.

### **Save these instructions!**

This manual must be considered as an integral part of the equipment. The manual must always accompany the equipment, even when it is transferred to another user or field.

## Copyright Declaration

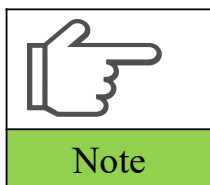
The copyright of this manual belongs to Shenzhen SOFARSOLAR Co., Ltd. Any corporation or individual should not plagiarize, partially copy or fully copy it (including software, etc.), and no reproduction or distribution of it in any form or by any means. All rights reserved.

SOFARSOLAR reserves the right of final interpretation. This manual is subject to change according to user's or customer's feedback. Please check our website at <http://www.sofarsolar.com> for latest version.

Document Updates

V2.0 2023-02-20

# Preface



If you have any question or problem when you read the following information, please contact Shenzhen SOFARSOLAR Co., Ltd.

## Outline

Please read the product manual carefully before installation, operation or maintenance. This manual contains important safety instructions and installation instructions that must be followed during installation and maintenance of the equipment.

## Scope

This product manual describes the installation, electrical connections, commissioning, maintenance and troubleshooting of HYD 3K~6K-EP inverters:

HYD 3000-EP    HYD 3680-EP    HYD 4000-EP

HYD 4600-EP    HYD 5000-EP    HYD 5500-EP    HYD 6000-EP






Keep this manual where it will be accessible at all times.

## Target Group

This manual is intended for qualified electrical technical personnel who are responsible for inverter installation and commissioning in the PV power system and PV plant operator.

## Symbols Used

This manual provides safety operation information and uses the symbol in order to ensure personal and property security and property security and use inverter efficiently when operating the inverter. You must understand these emphasized information to avoid the personal injury and property loss. Please read the following symbols used in this manual carefully.

 <b>Danger</b>	Danger indicates a hazardous situation which, if not avoided, will result in death or serious injury.
 <b>Warning</b>	Warning indicates a hazardous situation which, if not avoided, could result in death or serious injury.
 <b>Caution</b>	Caution indicates a hazardous situation which, if not avoided, could result in minor or moderate injury.
 <b>Attention</b>	Attention indicates potential risks which, if not avoided, may lead to equipment fault or property damage.
 <b>Note</b>	Note provides tips that are valuable for the optimal operation of the product.

# 1. Basic safety information

## 1.1. Safety instructions

Read and understand the instructions of this manual, and be familiar with relevant safety symbols in this chapter, then start to install and troubleshoot the equipment.

According to the national and state requirements, before connecting to the electrical grid, you must get permission from the local electrical grid operation can only be performed by qualified electrical engineer.

Please contact the nearest authorized service center if any maintenance or repair is needed. Contact your distributor for the information of the nearest authorized service center. Do NOT repair it by yourself, it may cause injury or property damage.

Before installing and maintaining the equipment, you should turn the DC switch OFF to cut off the high voltage DC of the PV array. You can also turn the switch in the PV combiner box OFF to cut off the high voltage DC. When the battery needs to be installed, please confirm the positive and negative terminals of the battery and turn OFF the battery. Otherwise, serious injury may be caused.

### Qualified persons

The customer must make sure the operator has the necessary skill and training to do his/her job. Staff in charge of using and maintaining the equipment must be skilled, aware and mature for the described tasks and must have the reliability to correctly interpret what is described in the manual. For safety reason only a qualified electrician, who has received training and / or has demonstrated skills and knowledge in construction and in operation of this unit, can install this inverter. Shenzhen SOFARSOLAR Co., Ltd. does not take any responsibility for the property destruction and personal injury because of any incorrect use.

### Installation requirements

Please install inverter according to the following section. Fix the inverter on an appropriate objects with enough load bearing capacity (such as walls, PV racks

etc.), and ensure that inverter is vertical placed. Choose a place suitable for installing electrical devices. And assure there is enough fire exit space, convenient for maintenance. Maintain proper ventilation to ensure enough air cycle to cool the inverter.

### Transport requirements

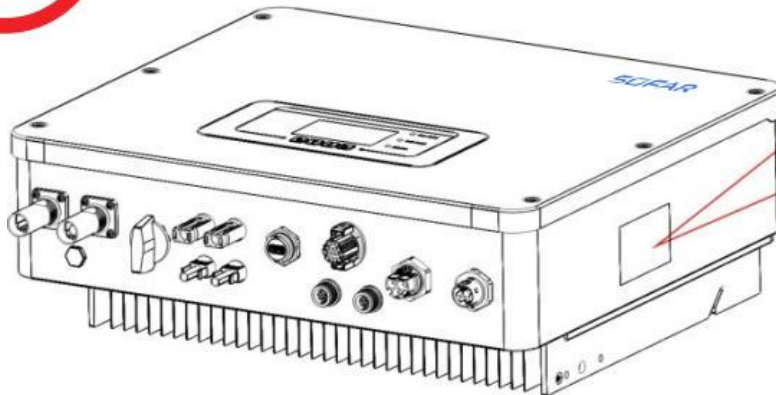
If you find packing problems that may cause the damage of the inverter, or find any visible damage, please immediately notice the responsible transportation company. You can ask solar equipment installation contractor or Shenzhen SOFARSOLAR Co.Ltd. for help if necessary.

Transport of the equipment, especially by road, must be carried out with by suitable ways and means for protecting the components (in particular, the electronic components) from violent shocks, humidity, vibration, etc.

### Labels on the equipment



The labels must NOT be hidden with objects and extraneous parts (rags, boxes, equipment, etc.); they must be cleaned regularly and kept visible at all times.






SOFAR Hybrid Inverter	
<b>Model No:</b>	<b>HYD 6000-EP</b>
Max. DC Input Voltage	600V
Operating MPPT Voltage Range	90V~580V
MAX. PV Isc	2x18A
Battery Type	Lead-acid, Lithium-ion
Battery Voltage Range	42-58V
Max. Charging Current	100A
Max. Discharging Current	100A
Max. Charging&Discharging Power	5000VA
Nominal Grid Voltage	230Vac
Nominal Output Voltage	230Vac
Max. Output Current	28.7A
Z source	1.05 + j0.32 ohm
Nominal Grid Frequency	50/60Hz
Power Factor	1(adjustable+/-0.8)
Nominal Output Power	6000W
Backup Rated Current	26.1A
Backup Rated Apparent Power	5000VA
Ingress Protection	IP65
Operating Temperature Range	-30~+60°C
Protective Class	Class I
Manufacturer : Shenzhen SOFAR SOLAR Co.,Ltd. Address : 401, Building 4, AnTongDa Industrial Park, District 68, KingDong Community, XinAn Street, BaoAn District, Shenzhen, China SAA183423, VDE0126-1-1, VDE-AR-N4105 G98, EN50438, AS4777, UTE C15-712-1	

### Electric connection



Please comply with all the current electrical regulations about accident prevention in dealing with the solar invert.





Before the electrical connection, make sure to use opaque material to cover the PV modules or to disconnect PV array DC switch. Exposure to the sun, PV array will produce a dangerous voltage!

	<p>All installation accomplished only by professional electrical engineer! Must be trained; Completely read the manual operation and understand relevant matter.</p>
Warning	
	<p>Get permission from the local electrical grid operator, complete all electrical connections by professional electrical engineer, then connect inverter to electrical grid.</p>
Attention	
	<p>It's forbidden to remove the tamper evident label, or open the inverter. Otherwise Sofarsolar will not provide warranty or maintenance!</p>
Note	

## Operation

	<p>Touching the electrical grid or the terminal of the equipment may lead to electrocution or fire! Don't touch the terminal or conductor connected to the electrical grid. Pay attention to any instructions or safety documents related to grid connection.</p>
Danger	
	<p>Some internal components will be very hot when inverter is working. Please wear protective gloves!</p>
Attention	

## Maintenance and repair


	<p>Before any repair work, turn OFF the AC circuit breaker between the inverter and electrical grid first, then turn OFF the DC switch. After turning OFF the AC circuit breaker and DC switch, wait for 5 minutes at least before carrying out any maintenance or repair work.</p>
Danger	
	<p>Inverter should work again after removing any faults. If you need any repair work, please contact with the local authorized service center. Can't open the internal components of inverter without authorized. Shenzhen SOFARSOLAR Co., Ltd. Does not take any responsibility for the losses from that.</p>
Attention	

## EMC / noise level of inverter




Electromagnetic compatibility (EMC) refers to that one electrical equipment functions in a given electromagnetic environment without any trouble or error, and impose no unacceptable effect upon the environment. Therefore, EMC represents the quality characters of an electrical equipment. The inherent noise-immune character: immunity to internal electrical noise. External noise immunity: immunity



to electromagnetic noise of external system.Noise emission level: influence of electromagnetic emission upon environment.








	<p><b>Electromagnetic radiation from inverter may be harmful to health!</b></p> <p>Please do not continue to stay around the inverter in less than 20 cm when inverter is working.</p>
<p><b>Danger</b></p>	





## 1.2. Symbols and signs

	<p>Caution of burn injuries due to hot enclosure! You can only touch the screen and pressing key of the inverter while it's working.</p>
<p><b>Caution</b></p>	
	<p>PV array should be grounded in accordance to the requirements of the local electrical grid operator! We suggest that all PV module frames and inverter are reliably grounded to protect the PV system and personnel security.</p>
<p><b>Attention</b></p>	
	<p>Ensure input DC voltage &lt; Max. DC voltage .Over voltage may cause permanent damage to inverter or other losses, which will not be included in warranty!</p>
<p><b>Warning</b></p>	

### Signs on the inverter

There are some symbols which are related to security on the inverter. Please read and understand the content of the symbols, and then start the installation.

	<p>This symbol indicates a hazardous situation which could result in injuries, if not avoided.</p>
	<p>There is a residual voltage in the inverter! Before opening the equipment, operator should wait for five minutes to ensure the capacitor is discharged completely.</p>
	<p>Caution, risk of electric shock.</p>
	<p>Caution hot surface.</p>
	<p>Comply with the Conformance Europeenne (CE) certification.</p>
	<p>Grounding point.</p>
	<p>Please read this manual before install HYD 3K~6K-EP.</p>

	This indicates the degree of protection of the equipment according to IEC standard 70-1 (EN 60529 June 1997).
	Positive pole and negative pole of the input voltage (DC).
	This side up, HYD 3K~6K-EP inverter must always be transported, handled and stored in such a way that the arrows always point upwards.
	RCM (Regulatory Compliance Mark) The product complies with the requirements of the applicable Australian standards.

## 2. Product characteristics

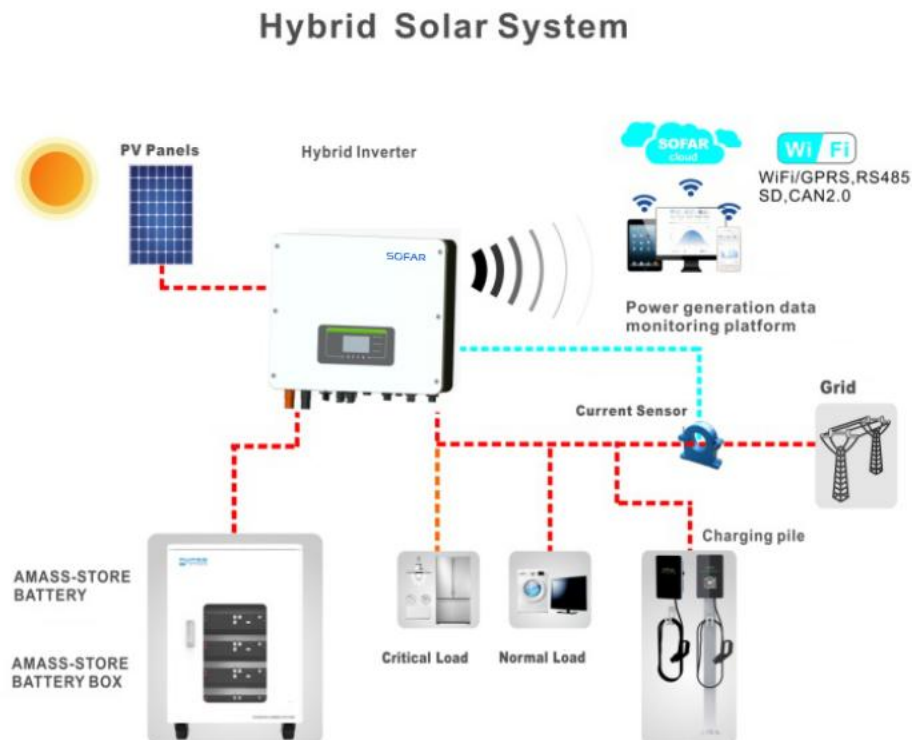
### 2.1. Product informations

HYD 3K~6K-EP inverter is a single-phase photovoltaic energy storage inverter integrating grid-connected photovoltaic inverter and battery energy storage.

The HYD 3K~6K-EP inverter has a variety of built-in operating modes to suit the diverse user needs.

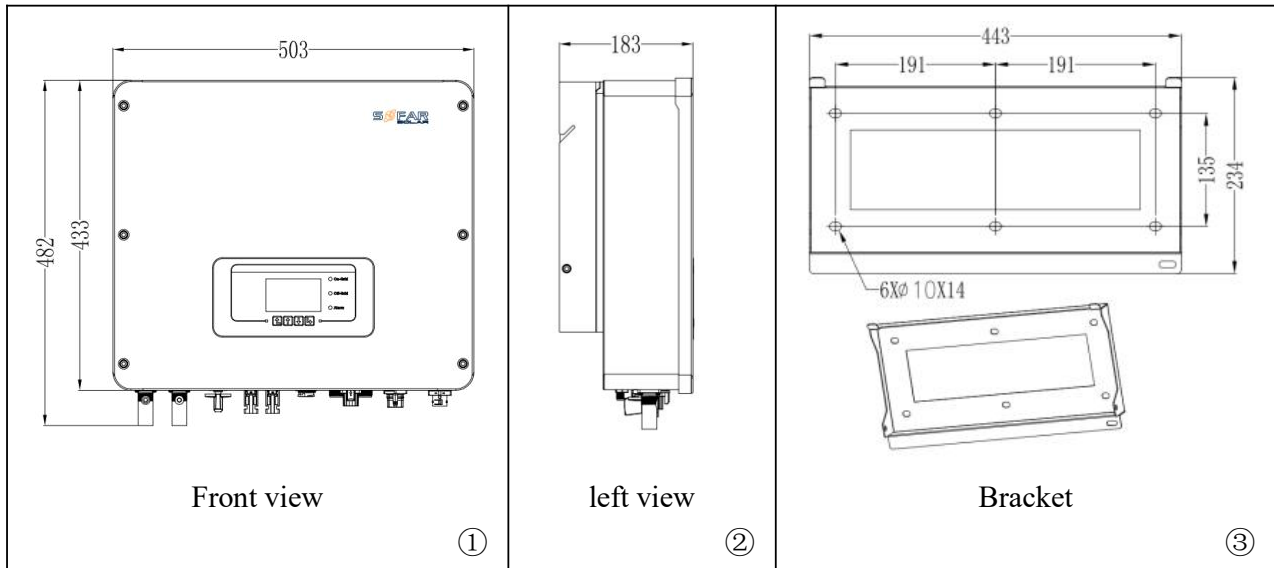
The HYD 3K~6K-EP inverter can provide a complete solution in the period of rising energy costs such as oil and coal, the energy subsidy of photovoltaic grid-connected system keeps falling. In the period of continuous power supply and emergency power supply demand in mountainous areas or base stations without power grid.

Fig. 2-1 HYD 3K~6K-EP inverter system diagram



## 2.2. Size description

Fig. 2-2 Size chart



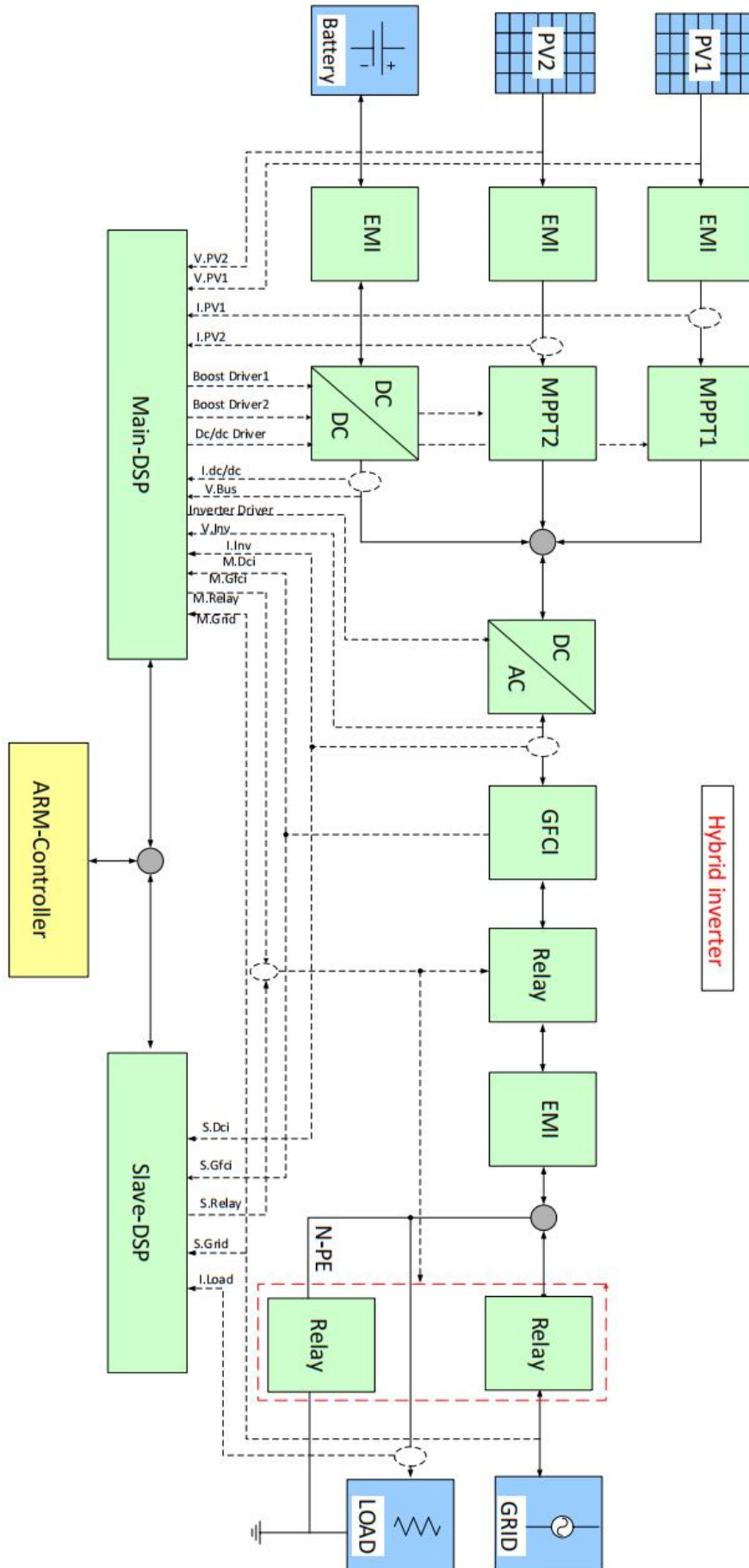
## 2.3. Function characteristics

The HYD 3K~6K-EP energy storage inverters allow up to 10% overloading to maximize power output, and the Uninterruptible Power Supply (UPS) mode can support inductive loads such as air conditioners or refrigerators with an automatic switchover time of less than 10 milliseconds.

- a. Dual MPP trackers with 1.5\* DC overload.
- b. Flexible switching between grid-tied mode and energy storage mode.
- c. Max. battery charge and discharge efficiency 94.6%.
- d. 1 strings of battery input with maximum 100A charge and discharge current.
- e. Wide battery voltage range(90-580V).
- f. AC Multi-parallel function, more flexible system solution.
- g. Smart monitoring, RS485/WiFi/Bluetooth/GPRS(Optional).




## 2.4. Electrical block diagram

Fig. 2-3 Electrical block diagram



## 3. Installation

### Installation notes

	Do NOT install the HYD 3K~6K-EP on flammable material. Do NOT install the HYD 3K~6K-EP in an area used to store Flammable or explosive material.
<b>Danger</b>	
	The enclosure and heat sink are very hot while the inverter is working, therefore do NOT install the HYD 3K~6K-EP in places where you might touch them inadvertently.
<b>Caution</b>	
	Consider the weight of HYD 3K~6K-EP when transporting and moving the inverters. Choose an appropriate mounting position and surface. Assign at least two persons to install the inverter.
<b>Attention</b>	

### 3.1. Checking Before Installation


#### Checking Outer Packing Materials

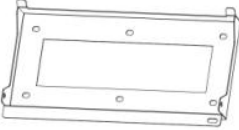

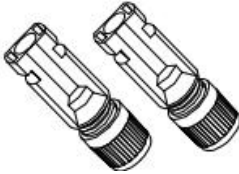


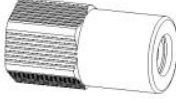
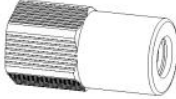

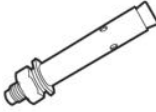
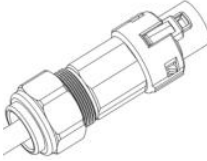
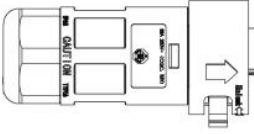

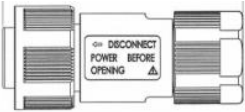
Packing materials and components may be damaged during transportation. Therefore, check the outer packing materials before installing the inverter. Check the outer packing materials for damage, such as holes and cracks. If any damage is found, do not unpack the HYD 3K~6K-EP and contact the dealer as soon as possible. You are advised to remove the packing materials within 24 hours before installing the HYD 3K~6K-EP inverter.








#### Checking Deliverables

After unpacking the inverter, check whether deliverables are intact and complete. If any damage is found or any component is missing, contact the dealer.

Table3-1 Components and mechanical parts that should be delivered

NO.	Picture	Description	Quantity
1		Inverter	1pcs

2		Rear panel	1pcs
3		PV+ input terminal	2pcs
4		PV- input terminal	2pcs
5		Metal terminals secured to PV+ input power cables	2pcs
6		Metal terminals secured to PV- input power cables	2pcs
7		BAT- input terminal	1pcs
8		BAT+ input terminal	1pcs
9		M6 Hexagon screws	3pcs
10		M8*80 Expansion bolts used to secure the wall-mount bracket to the wall	4pcs
11		AC Grid connector	1pcs
12		Load Output connector	1pcs
13		Link port connector	1pcs
14		8 pin terminal Matching terminal resistance (parallel system)	1pcs

15		Split Core Current Transformer	1pcs
16		COM 16pin connector	1pcs
17		Communication cable	1pcs
18		DDSU666 Single-phase electronic type guide rail mounting electric energy meter	1pcs(optional)
19		Manual	1pcs
20		The warranty card	1pcs
21		Quality Certificate	1pcs

### 3.2. Product Overview

HYD 3K~6K-EP inverter is 100% strictly inspected before package and delivery. It is forbidden to put the HYD 3K~6K-EP inverter upside down during delivery.


	<b>CAUTION</b>
	Please check the product package and fittings carefully before installation.

Fig.3-2 HYD 3K~6K-EP inverter overview



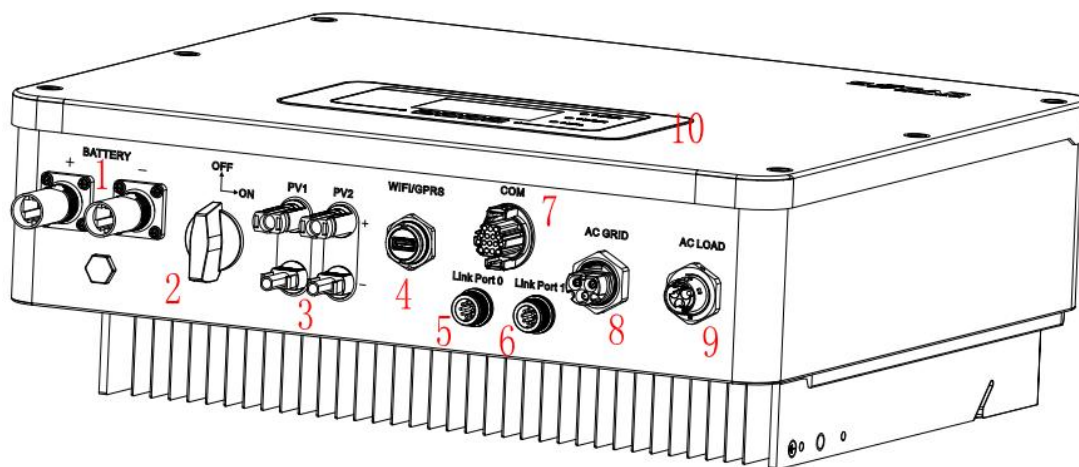





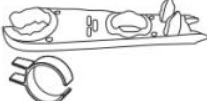
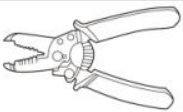

Table 3-2 HYD 3K~6K-EP inverter overview

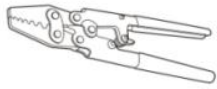
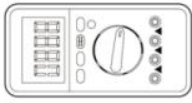



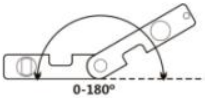
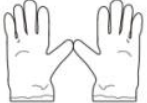


1	Battery input terminals	6	Link Port 1
2	DC switch	7	COM
3	PV input terminals	8	Grid connection port
4	USB/WiFi	9	Load connection port
5	Link Port 0	10	LCD

### 3.3. Tools

Prepare tools required for installation and electrical connections.

Table 3-3 Tools required for installation and electrical connections.

NO.	Tool	Model	Function
1		Hammer drill Recommend drill dia. 6mm	Used to drill holes on the wall.
2		Screwdriver	Wiring
3		Cross screwdriver	Remove and install AC terminal screws
4		Removal tool	Remove PV terminal
5		Wire stripper	Strip wire
6		4mm Allen Wrench	Turn the screw to connect rear panel with inverter.

7		Crimping tool	Used to crimp power cables
8		Multi-meter	Used to check grounding
9		With an open end of larger than or greater than 32 mm	Used to tighten expansion bolts
10		Marker	Used to mark signs
11		Measuring tape	Used to measure distances
12		Level	Used to ensure that the rear panel is properly installed
13		ESD gloves	Operators wear
14		Safety goggles	Operators wear
15		Anti-dust respirator	Operators wear

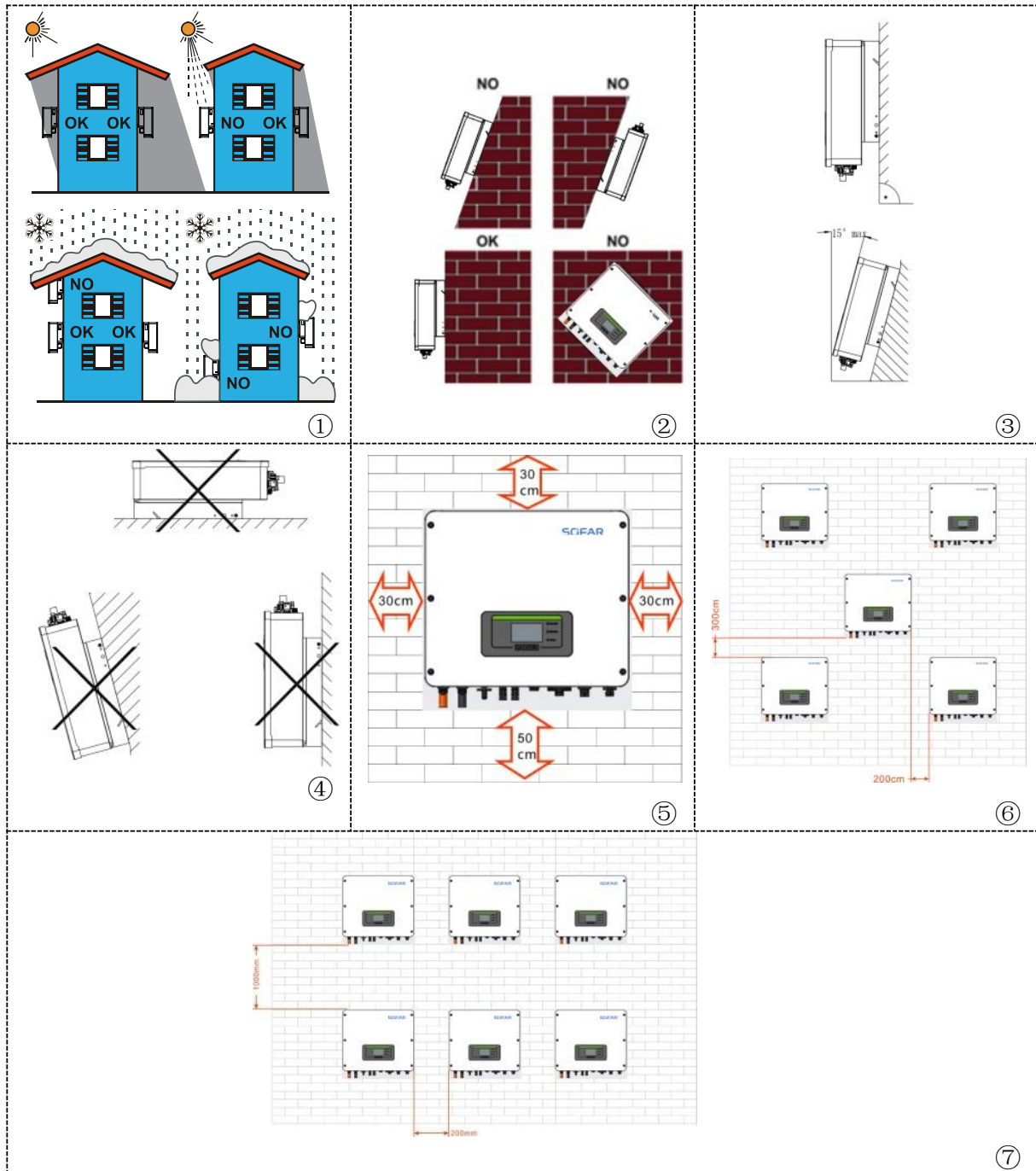
### 3.4. Installation Environment

- a. Choose a dry, clean, and tidy place, convenient for installation.
- b. Ambient temperature range:  $-25^{\circ}\text{C} \sim 60^{\circ}\text{C}$ .
- c. Relative humidity:  $0 \sim 100\%$  (non-condensed).
- d. HYD 3K~6K-EP inverter shall be installed in a well-ventilated place.
- e. No flammable or explosive materials close to HYD 3K~6K-EP inverter.
- f. The AC overvoltage category of HYD 3K~6K-EP inverter is category III.
- g. Maximum altitude: 4000m.

### 3.5. Determining the Installation Position

Determine an appropriate position for installing the HYD 3K~6K-EP inverter. Comply with the following requirements when determining the installation position.

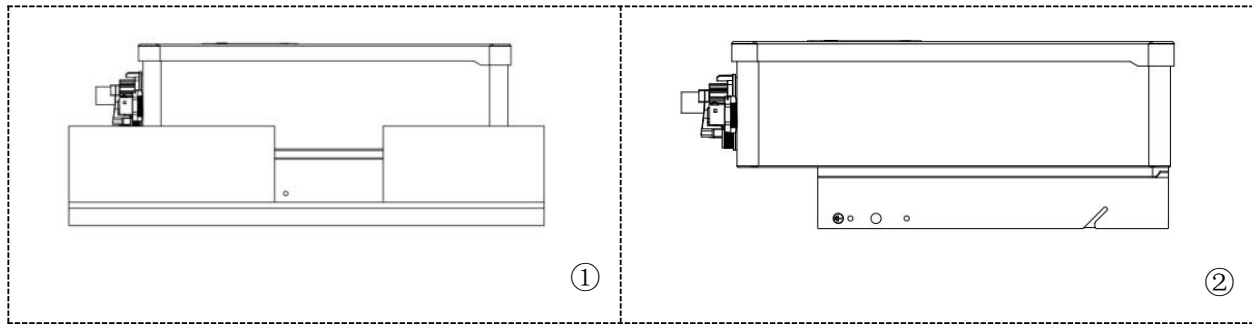
Fig. 3-3 Installation Position of HYD 3K~6K-EP inverter




### 3.6. Moving the HYD 3K~6K-EP

**Step 1** Open the packaging, insert hands into the slots on both sides of the inverter and hold the handles, as shown in Fig.3-4.

Fig. 3-4 Moving the inverter



**Step 2** Lift the inverter from the packing case and move it to the installation position.

	<p>To prevent device damage and personal injury, keep balance when moving the inverter because the inverter is heavy.</p> <p>Do not put the inverter with its wiring terminals contacting the floor because the power ports and signal ports are not designed to support the weight of the inverter. Place the inverter horizontally.</p> <p>When placing the inverter on the floor, put foam or paper under the inverter to protect its shell.</p>
<b>Attention</b>	

### 3.7. Installing HYD 3K~6K-EP

**Step 1** Determine the positions for drilling holes, ensure the hole positions are level, then mark the hole positions using a marker pen, use the hammer drill to drill holes on the wall (Aperture  $\Phi$  10 mm). When drilling, keep the impact drill perpendicular to the wall and drill slightly deeper than the length of the expansion pipe. After drilling, please check whether the hole position is suitable with the back plate. If the error is too large, please reposition the hole.

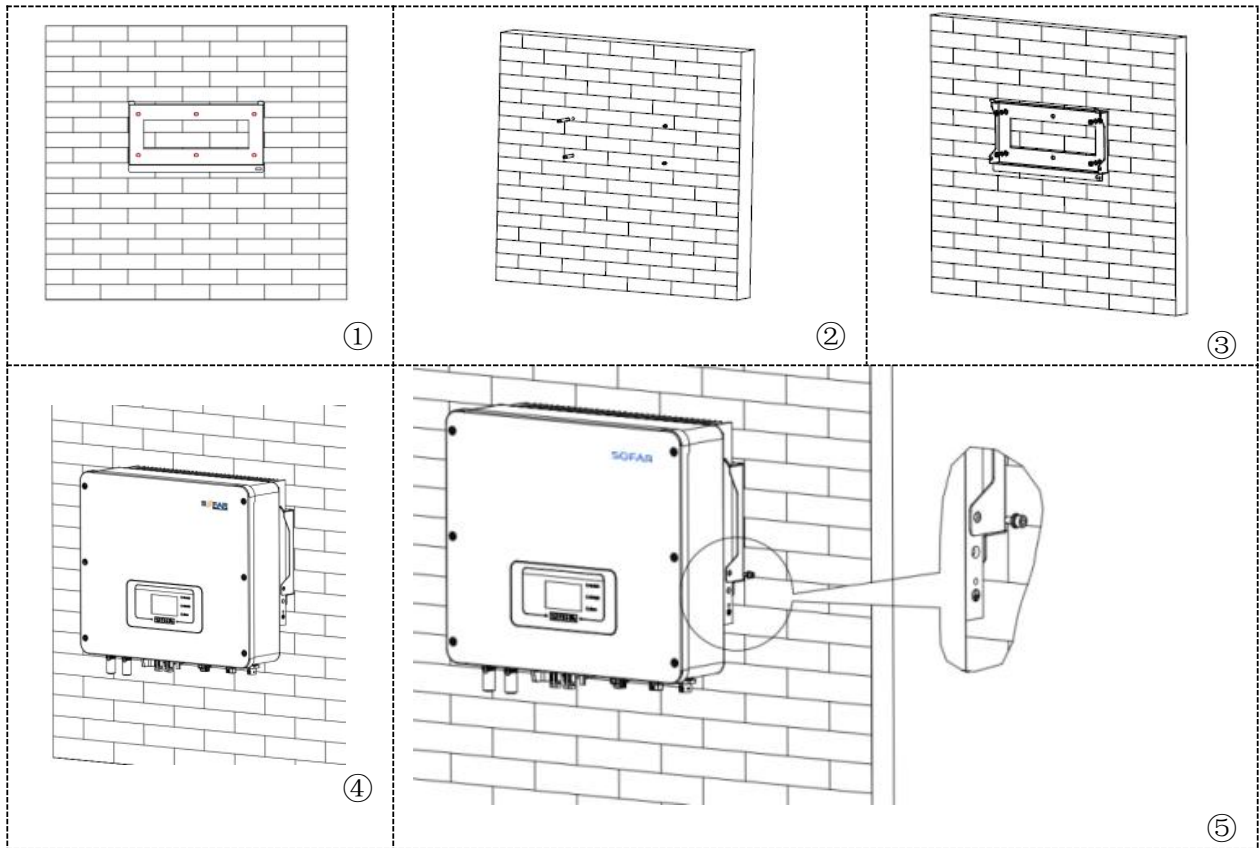
**Step 2** Slowly hammer the expansion screw into the drilled hole.

**Step 3** Position the back plate well, place the shrapnel and flat pad, and fix the back plate with hexagon nut.

**Step 4** Hang the inverter on the back plate and lock the inverter and the back plate with M6 hex screw.

**Step 5** You can secure the inverter to the rear panel and protect it from stealing by installing an anti-theft lock (this action is optional).




Fig. 3-5 Installing HYD 3K~6K-EP



# 4. Electrical Connections

Before performing electrical connections, ensure that the DC switch is OFF. Since the stored electrical charge remains in a capacitor after the DC switch is turned OFF. So it's necessary to wait for at least 5 minutes for the capacitor to be electrically discharged.

HYD 3K~6K-EP inverter is intended to be used in PV system with battery storage. If not used as intended, the protection provided by the equipment may be impaired.

	<p>Installation and maintenance of inverter, must be operated by professional electrical engineer.</p> <p>Wear rubber gloves and protective clothing (protective glasses and boots) when working on high voltage/high current systems such as inverter and battery systems.</p>
<b>Attention</b>	
	<p>PV modules generate electric energy when exposed to sunlight and can create an electrical shock hazard. Therefore, before connecting DC input power cable, cover PV modules using opaque clot.</p>
<b>Danger</b>	
	<p>For HYD 3K~6K-EP, open-circuit voltage(Voc) of module arrays connected in series must be <math>\leq 580V</math>.</p>
<b>Note</b>	

The connected PV modules must have an IEC 61730 Class A rating

Table 4-1 Relevant current parameters of each model

Model	IscPV(absolute maximum)	Maximum output over current protection
HYD 3000-EP	18A/18A	15A
HYD 3680-EP		16A
HYD 4000-EP		20A
HYD 4600-EP		20.9A
HYD 5000-EP		21.7A
HYD 5500-EP		25A
HYD 6000-EP		27.3A

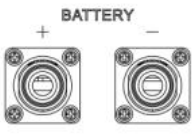
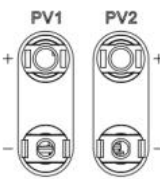


**NOTE:**The DVC is the voltage of a circuit which occurs continuously between any two live part in the worst-case rated operating condition when used as intended.

Table 4-2 The decisive voltage class(DVC)

Interface	DVC
PV input port	DVCC
Grid connection port	DVCC
Battery input port	DVCC
Load connection port	DVCC
USB/WiFi interface	DVCA
COM interface	DVCA
Link Port 0 & Link Port 1	DVCA

## 4.1. Wire instructions

Table 4-3 Cable description


Component	Description	Recommended cable type	Recommended cable specifications	
	+ : Connect the positive electrode of lithium battery	Outdoor multi-core copper cable	Conductor cross-sectional area: 16mm <sup>2</sup> ~20mm <sup>2</sup>	
	- : Connect the negative electrode of lithium battery			
	+ : Connect the positive electrode of photovoltaic cell	Industry common outdoor photovoltaic cable	Conductor cross-sectional area: 4mm <sup>2</sup> ~6mm <sup>2</sup>	
	- : Connect the negative electrode of photovoltaic cell			
	Load	Outdoor multi-core copper cable	Conductor cross-sectional area: 4mm <sup>2</sup> ~6mm <sup>2</sup>	
				L
				N
	AC	Outdoor multi-core copper cable	Conductor cross-sectional area: 5mm <sup>2</sup> ~8mm <sup>2</sup>	
				L
				N
	PE			

## 4.2. Connecting PGND Cables

Connect the inverter to the grounding electrode using protection ground



(PGND) cables for grounding purpose.

	<p>The inverter is transformer-less, requires the positive pole and negative pole of the PV array are NOT grounded. Otherwise it will cause inverter failure. In the PV power system, all non current carrying metal parts (such as: PV module frame, PV rack, combiner box enclosure, inverter enclosure) should be connected to earth.</p>
Attention	

The PGND cables are prepared ( $\geq 4\text{mm}^2$  outdoor power cables are recommended for grounding purposes), the color of cable should be yellow-green.

**Procedure:**

**Step 1**

Remove the insulation layer with an appropriate length using a wire stripper, as shown in Fig.4-1.

**Step 2**

Insert the exposed core wires into the OT terminal and crimp them by using a crimping tool, as shown in Fig.4-1.

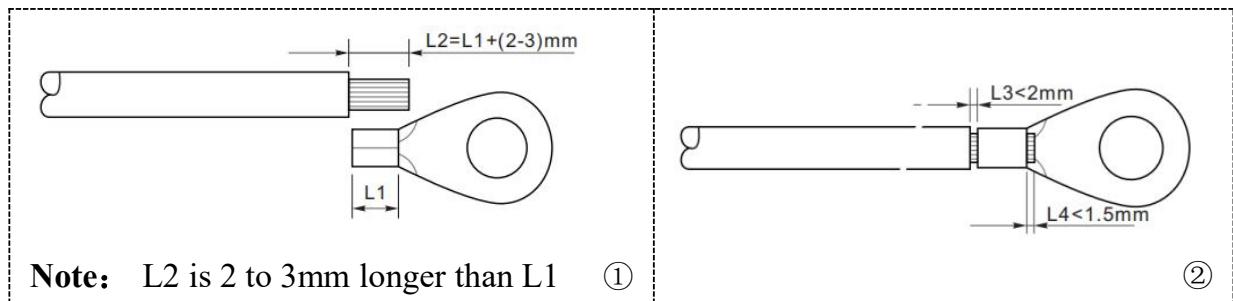
**Step 3**

Install the crimped OT terminal, flat washer using M5 screw, and tighten the screw to a torque of 3 N.m using an Allen wrench.

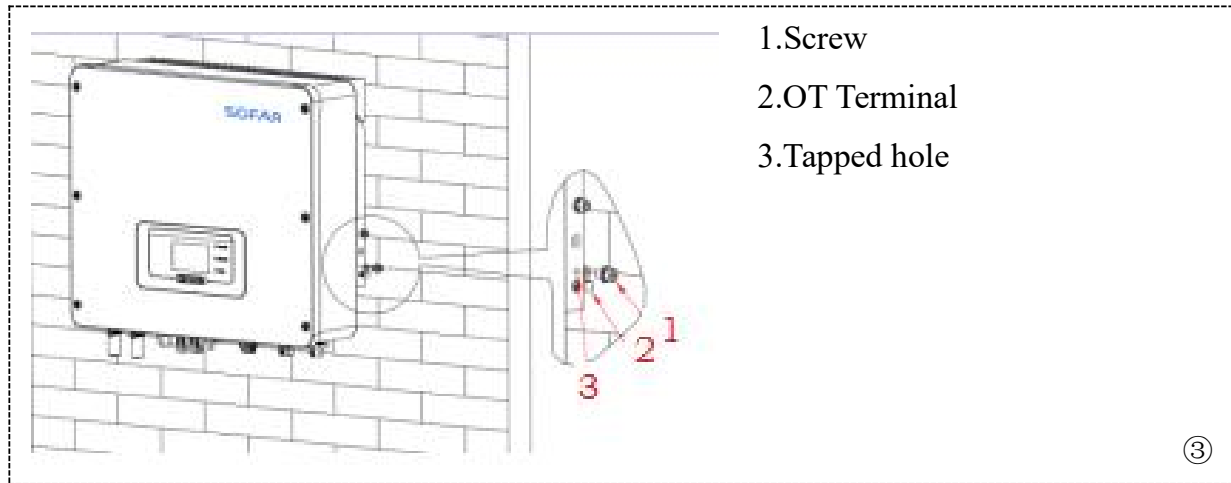
**Note 1:** L3 is the length between the insulation layer of the ground cable and the crimped part. L4 is the distance between the crimped part and core wires protruding from the crimped part.

**Note 2:** The cavity formed after crimping the conductor crimp strip shall wrap the core wires completely. The core wires shall contact the terminal closely.

Fig.4-1 Connecting PGND cable







## 4.3. PV Connection

### Procedure:

#### Step 1

Select the appropriate cable type and specifications according to the table 4-3. Remove cable glands from the positive and negative connectors. (It is recommended that the positive and negative be distinguished by different colors).

#### Step 2

Remove the insulation layer with an appropriate length from the positive and negative power cables by using a wire stripper as shown in Fig. ①.

#### Step 3

Insert the stripped positive and negative power cables into the positive and negative metal terminals respectively and crimp them using a crimping tool. Ensure that the cables are crimped until they cannot be pulled out by force less than 400 N, as shown in Fig. ②③.

#### Step 4

Insert crimped power cables into corresponding housings until you hear a "click" sound. The power cables snap into place.

#### Step 5

Reinstall cable glands on positive and negative connectors and rotate them against the insulation covers.

#### Step 6

Insert the positive and negative connectors into corresponding PV terminals of

the inverter until you hear a "click" sound, as shown in Fig.⑥.

To remove the positive and negative connectors from the inverter, insert a removal wrench into the bayonet and press the wrench with an appropriate strength, as shown in Fig.⑦.


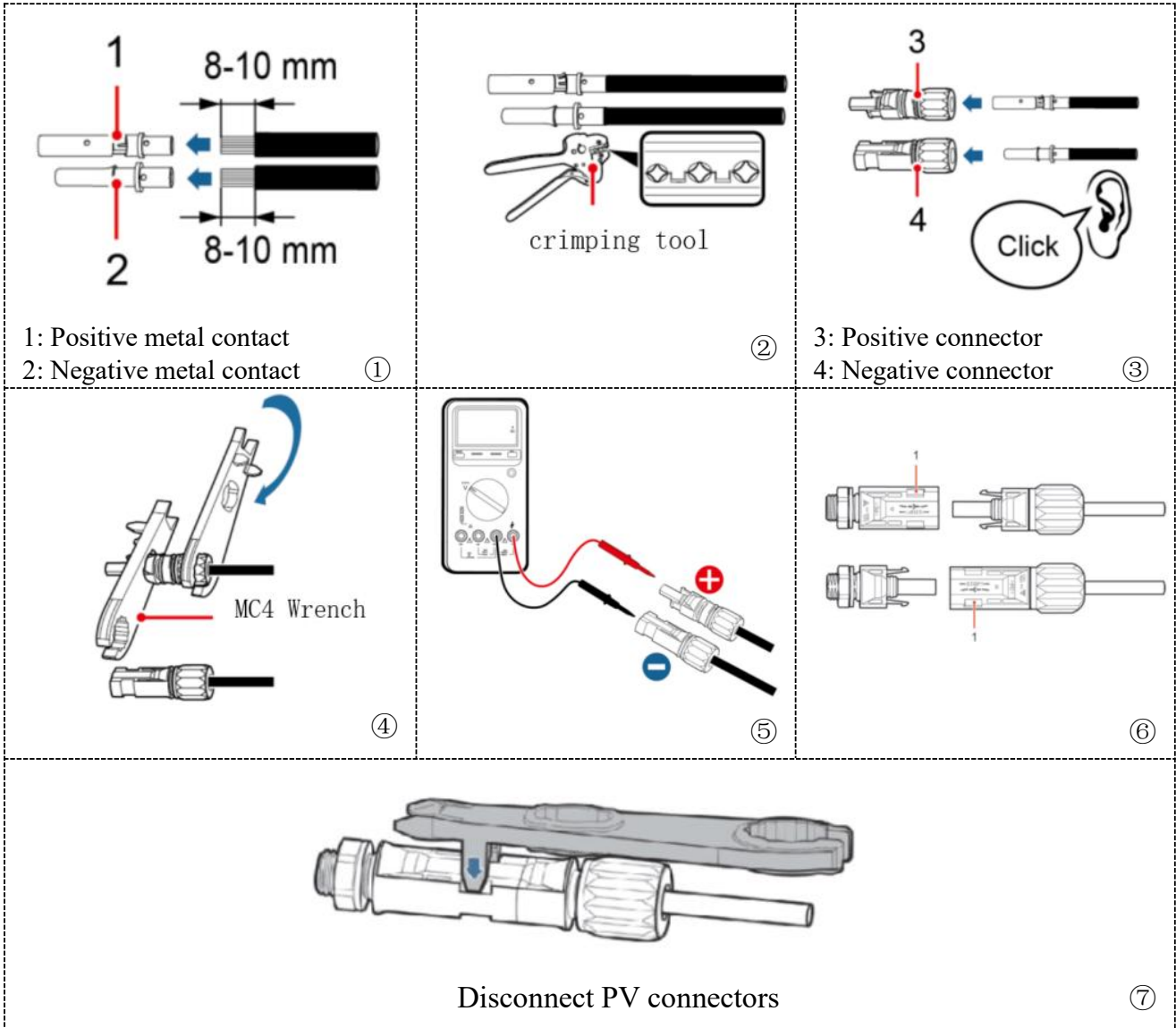
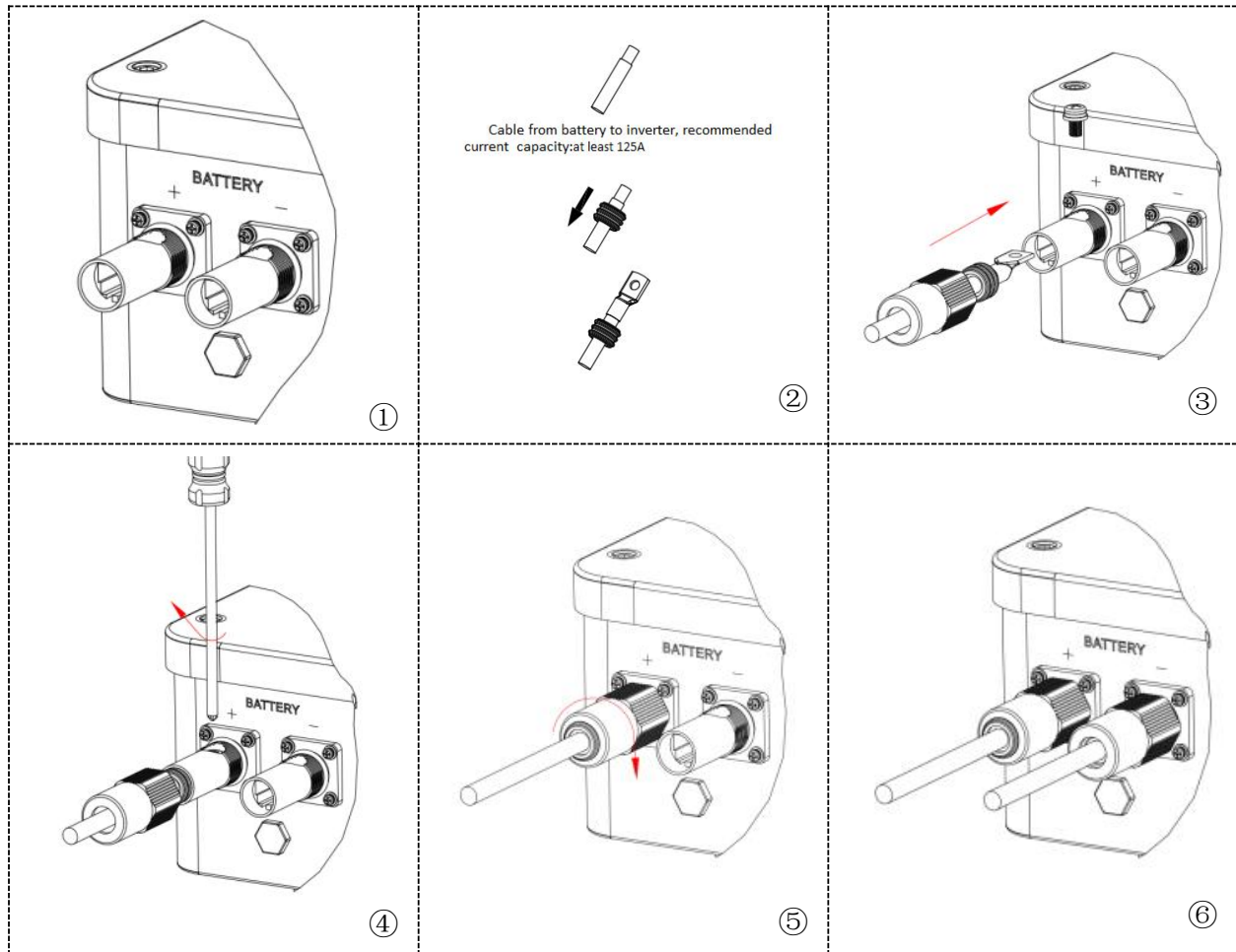
	<p>Before removing the positive and negative connectors, ensure that the DC SWITCH is OFF.</p>
---	--

Fig.4-2 Connect PV



## 4.4. Battery Connection

Fig. 4-3 Install battery connection



## 4.5. Load connection

### Procedure:

#### Step 1

Select appropriate cables according to Table4-3, Remove the insulation layer of the load output cable using a wire stripper according to the figure shown below:  
A:15~25mm B:6~8mm .

#### Step 2

Disassemble the load connector according to the figure shown below: insert the load output cable (with its insulation layer stripped according to step 1) through the waterproof locking cable gland .

#### Step 3

Connect load output cable as per the following requirements:

Connect the yellow-green wire to the hole labeled "PE", fasten the wire using an Cross screwdriver;

Connect the brown wire to the hole labeled "L", fasten the wire using an Cross

screwdriver;

Connect the blue wire to the hole labeled "N", fasten the wire using an Cross screwdriver.

**Step 4**

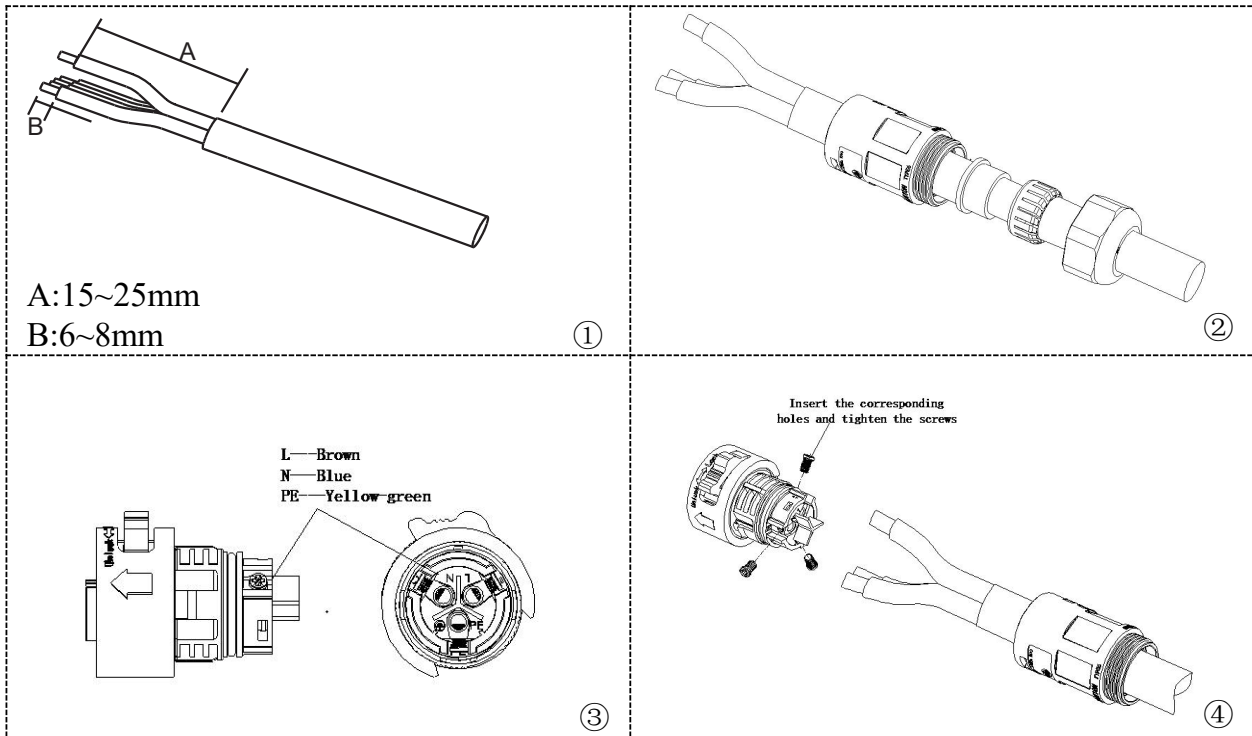
Insert the load connector and hear "click", then tighten the waterproof nut at the instantaneous value, as shown in the figure below, to ensure that the cable is firmly connected.

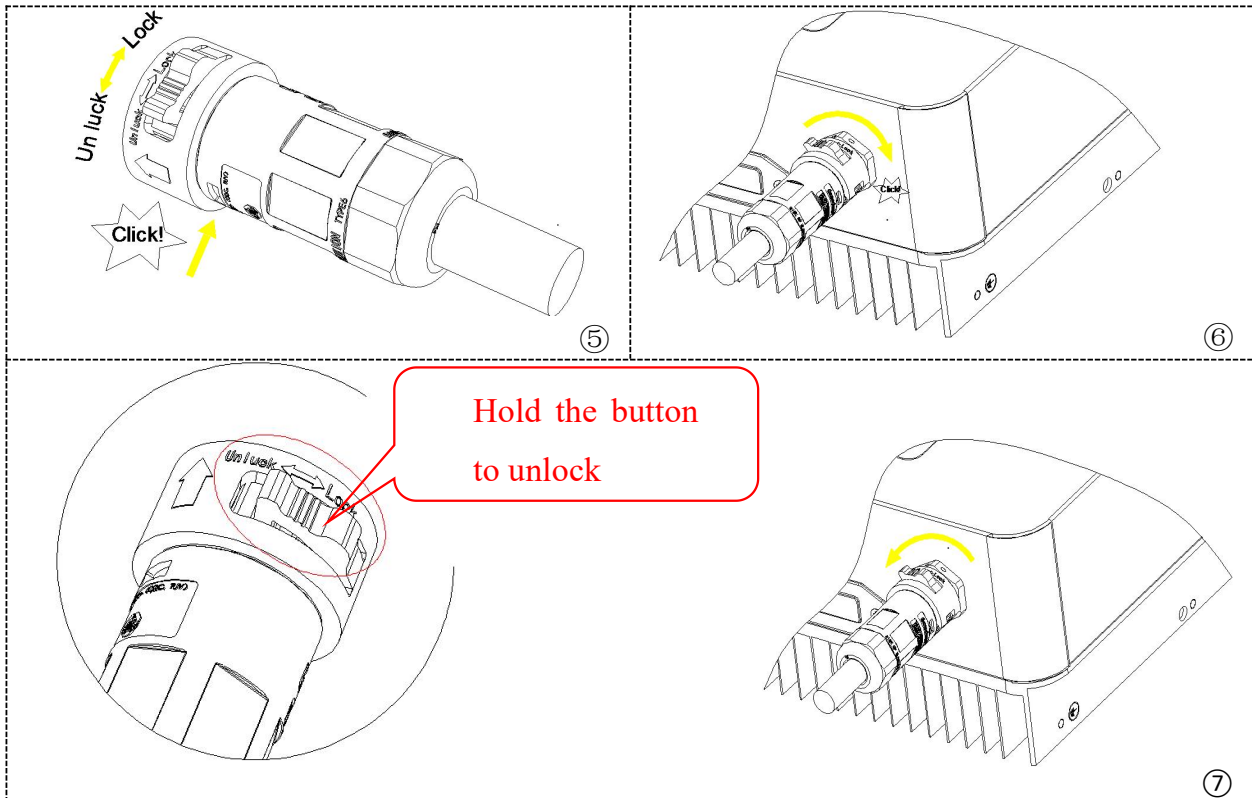
**Step 5**

Connect the connected load connector to the load connector of the inverter. Turn the ac connector knob to lock until you hear a "click" and the clasp is in place.

**Removing the load connector** Hold the button to unlock and rotate the knob counterclockwise to the unlock position, then pull out the load connector, the following figure ⑦, Make sure the grid is disconnected before removing the load connector .

Fig.4-4 Grid connection





## 4.6. Grid connection

The inverter is equipped with an integrated residual current monitoring unit. When the inverter detects that the residual current exceeds 300mA, the connection to the power grid will be quickly disconnected.

If the external ac switch has leakage protection function, its rated leakage action current is required to be  $\geq 300\text{mA}$ .

### Procedure:

**Step 1** Select the appropriate cable type and specifications according to the table4-3. Refer to Fig.① for processing wire.

**Step 2** Pass the wire through the terminal, as shown in Fig.②.

**Step 3** According to the mark, lock the wire into the keyhole on the terminal and tighten it with the hexagon socket wrench, as shown in Fig.③④.

**Step 4** Push the terminal forward until the sound of "click" is heard, as shown in Fig.⑥.

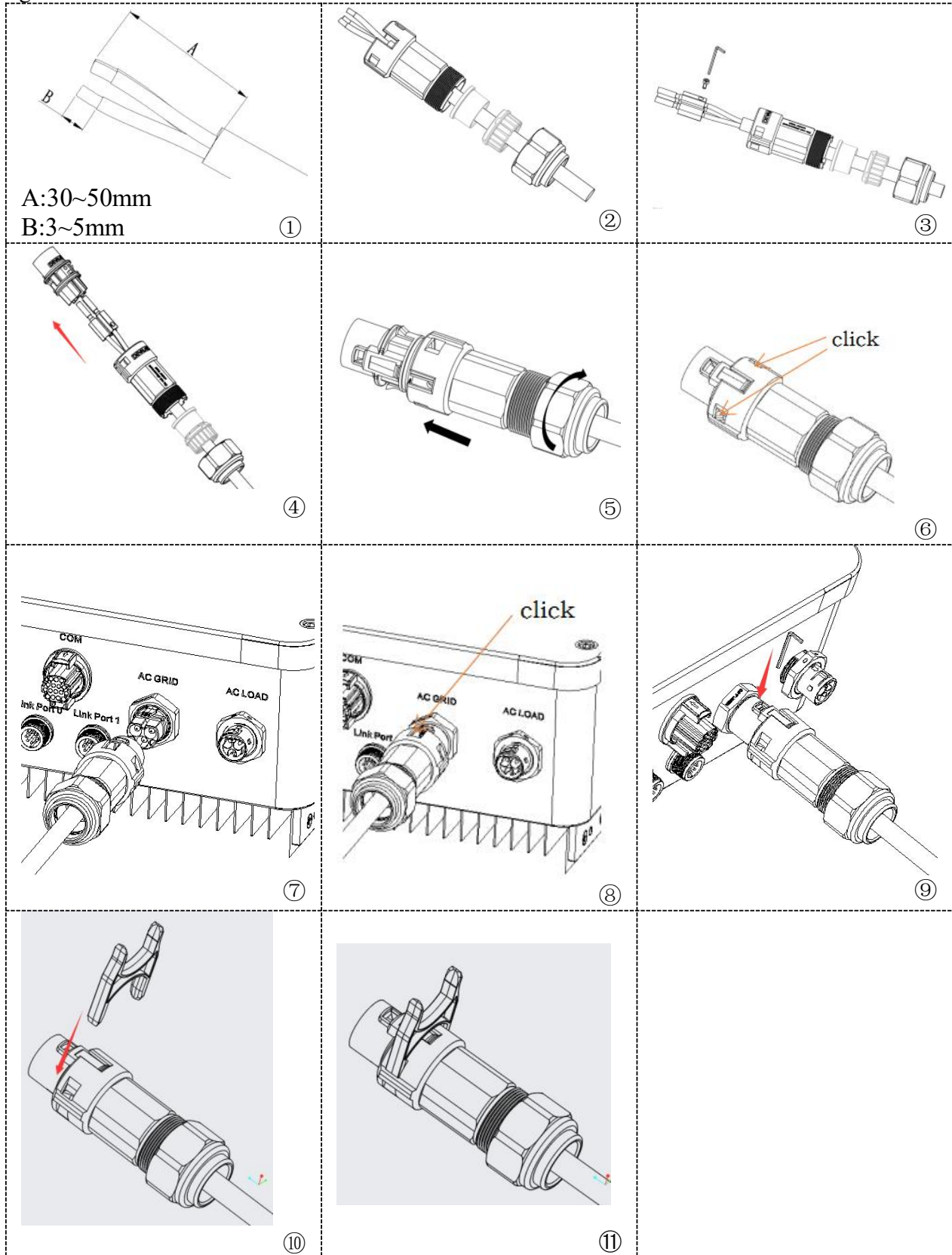
**Step 5** Connect the connected load terminal to the inverter load port, and push the terminal forward until the sound of "click" is heard, and the terminal connection is completed, as shown in Fig.⑦⑧.

If you need to remove the terminals from the machine, use the tool to press on

the direction indicated by the big arrow and pull the terminals out.

Need to dismantle the end connection, to use the tool, as shown in figure attending ⑩⑪.

Fig.4-5 Load connection





## 4.7. External communication interface

### 4.7.1 USB/WIFI communication interface

Fig.4-6 USB/WIFI communication interface

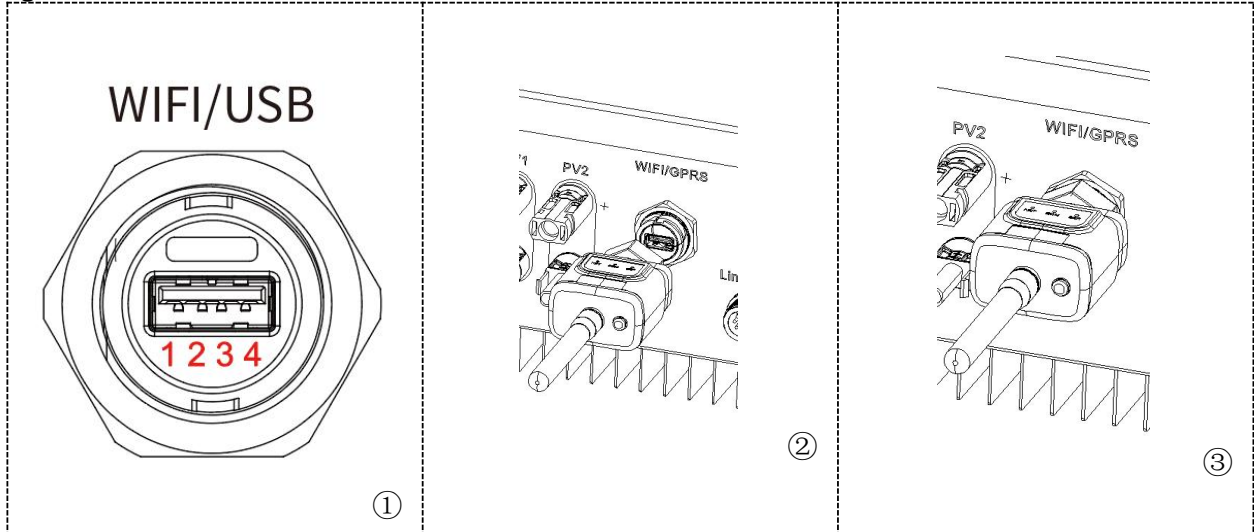


Table 4-4 Interface description

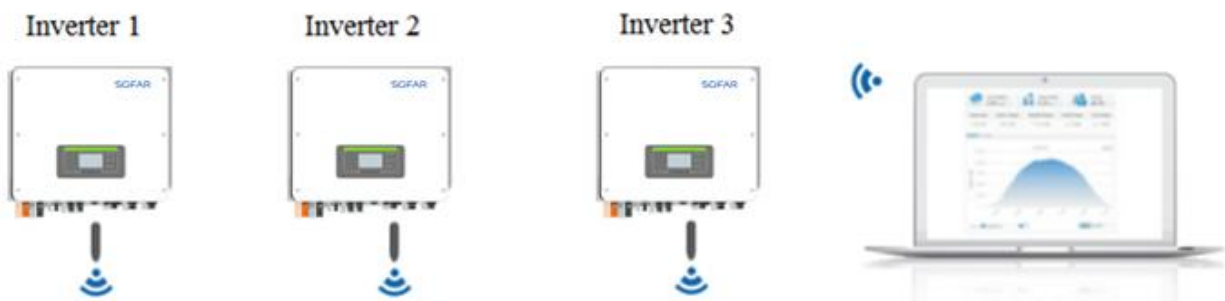
PIN	Definition	Function	Note
1	GND.S	USB power -	The USB power supply is 5V/1A; Cannot be used for external device charging
2	DP	USB data +	
3	DM	USB data -	
4	VBUS	USB power +	

Refer to the figure shown below.

Fig 4-7



Fig 4-8



The operation information (generated energy, alert, operation status) of the inverter can be transferred to PC or uploaded to the server via WiFi/GPRS. Users can choose to use web or APP for monitoring and viewing according to their needs. They need to register an account and bind the device with the WiFi/GPRS SN number. The SN number of the WiFi/GPRS shall be affixed to the package box and the WiFi/GPRS.

Web: <https://home.solarmanpv.com> (Recommended browser: Chrome58、Firefox49、IE9 and above version) .

APP: Android: Go to Android Market and search “SolarMAN”.

IOS: Go to App Store and search “SolarMAN”.

SolarMAN-3.0-Web User Manual, Please visit the <https://doc.solarmanpv.com/web/#/7>.

SolarMAN-App User Manual, Please visit the <https://doc.solarmanpv.com/web/#/14>.

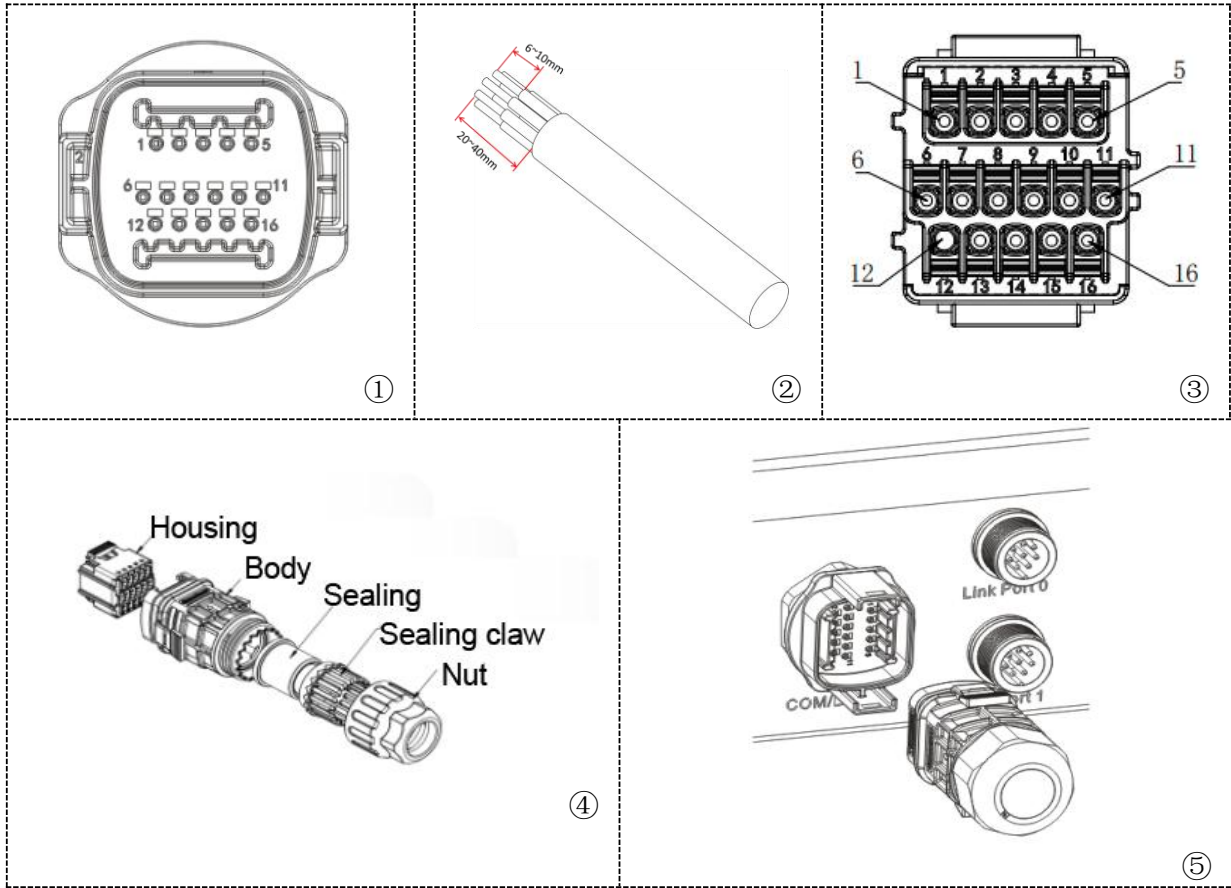
## 4.7.2 COM-Multifunction communication interface

Table 4-5 Interface description

PIN	Definition	Function	Note
1	CANH	CAN high data	Communication with lithium battery BMS, the inverter CAN be adaptive to lithium battery BMS to provide CAN communication and RS485 communication
2	CANL	CAN low data	
3	485-2TX+	RS485 differential signal +	
4	485-2TX-	RS485 differential signal –	
5	485-1TX+	RS485 differential signal +	Wired monitoring or inverter cascade monitoring
6	485-1TX-	RS485 differential signal –	
7	GND-S	(DRMS) logic interfaces are applicable to the following safety standards: Australia (AS4777), European General (50549), Germany (4105)	Logic interface connections
8	DRMS1/5		
9	DRMS2/6		
10	DRMS3/7		
11	DRMS4/8		
12	DRMS0		
13	CT-	The current sensor outputs a negative electrode	Connect current sensor of power grid
14	CT+	The current sensor outputs a positive electrode	
15	RS485-B	RS485 differential signal +	Meter communication
16	RS485-A	RS485 differential signal –	

Fig.4-9 COM interface

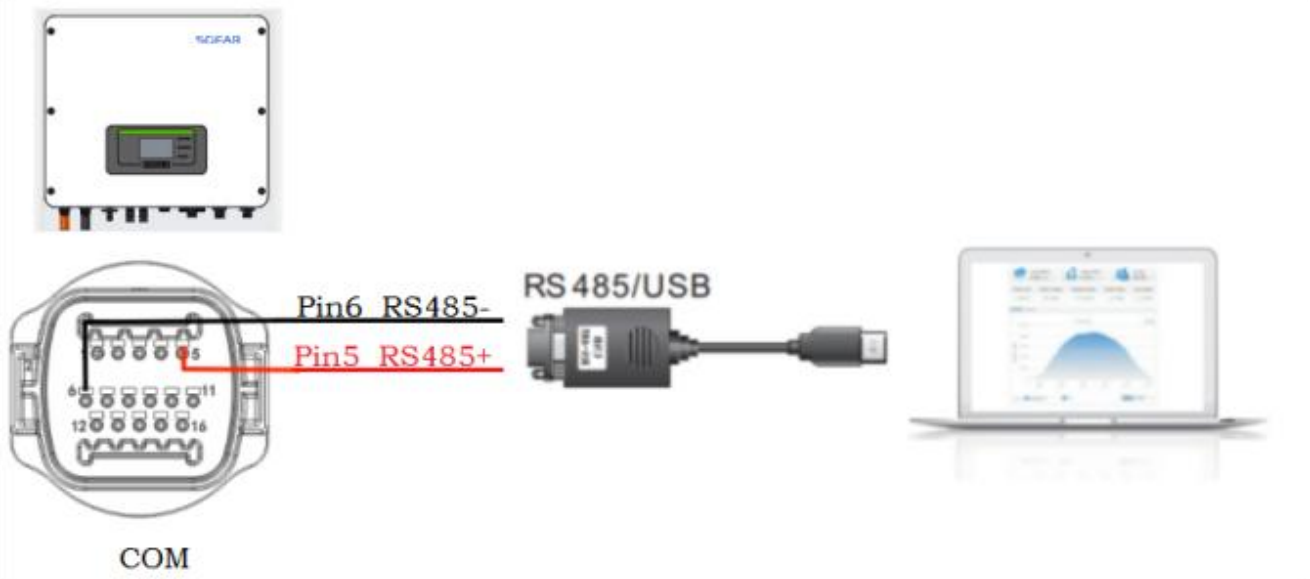




**1. RS485 (Wired monitoring or inverter cascade monitoring)**

Refer to the figure shown below, connect the RS485+ and RS485- of the inverter to the TX+ and TX- of the RS485 → USB adapter, and connect the USB port of the adapter to the computer.(NOTE : The length of the RS485 communication cable should be less than 1000 m)

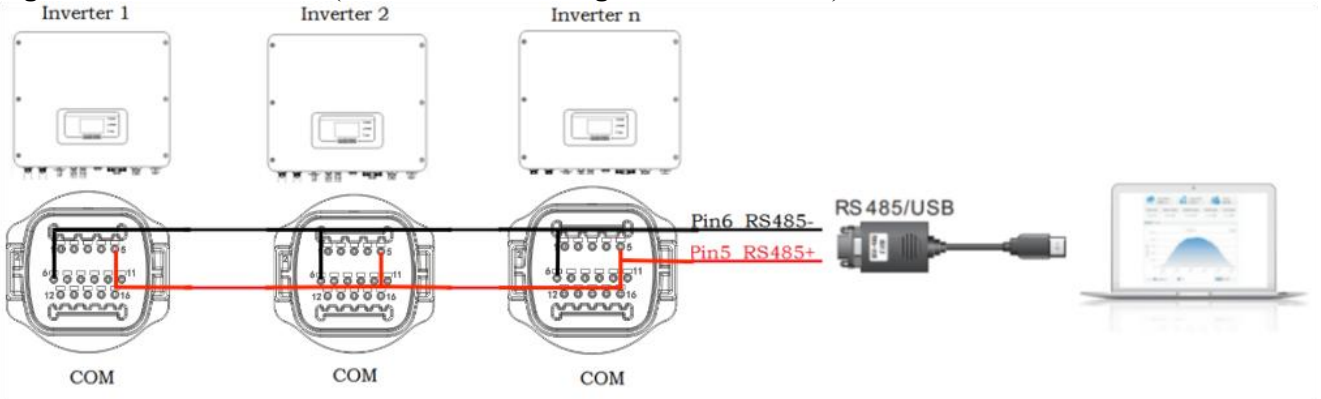
Fig 4-10



RS485 wires are connected in parallel between inverters, (NOTE : When

multiple inverters are connected via RS485 wires, set communication address to differentiate the inverters , please refer to this manual<6.3.1System setting→8.Communication Addr>)

Fig.4-11 RS485 connection(cascade of monitoring between inverters)



**2. Logic interface**

The logic interface pin definitions and circuit connections are as follows:

Logic interface pin are defined according to different standard requirements

(a) Logic interface for AS/NZS 4777.2:2015, also known as inverter demand response modes (DRMs).

The inverter will detect and initiate a response to all supported demand response commands within 2 s. The inverter will continue to respond while the mode remains asserted.

Table 4-6 Function description of the DRMs terminal

Pin NO.	Function
8	DRM1/5
9	DRM2/6
10	DRM3/7
11	DRM4/8
12	DRM0
7	GND-S

(b) Logic interface for VDE-AR-N 4105:2018-11, is in order to control and/or limit the inverter’s output power.

The inverter can be connected to a RRCCR (Radio Ripple Control Receiver) in order to dynamically limit the output power of all the inverters in the installation.

Fig.4-12 Inverter – RRCCR Connection

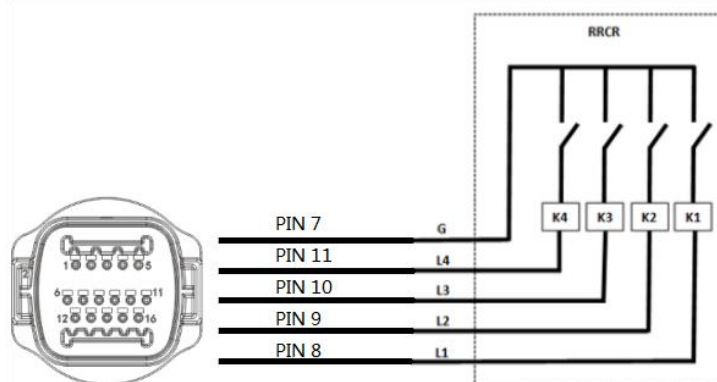


Table 4-7 Function description of the terminal

Pin NO.	Pin name	Description	Connected to (RRCR)
8	L1	Relay contact 1 input	K1 - Relay 1 output
9	L2	Relay contact 2 input	K2 - Relay 2 output
10	L3	Relay contact 3 input	K3 - Relay 3 output
11	L4	Relay contact 4 input	K4 - Relay 4 output
7	G	GND	Relays common node

Table 4-8 The inverter is preconfigured to the following RRCR power levels,close is 1, open is 0

L1	L2	L3	L4	Active Power	Cos(φ)
1	0	0	0	0%	1
0	1	0	0	30%	1
0	0	1	0	60%	1
0	0	0	1	100%	1

(c) Logic interface for EN50549-1:2019, is in order to cease active power output within five seconds following an instruction being received at the input interface.

Fig.4-13 Inverter – RRCR Connection

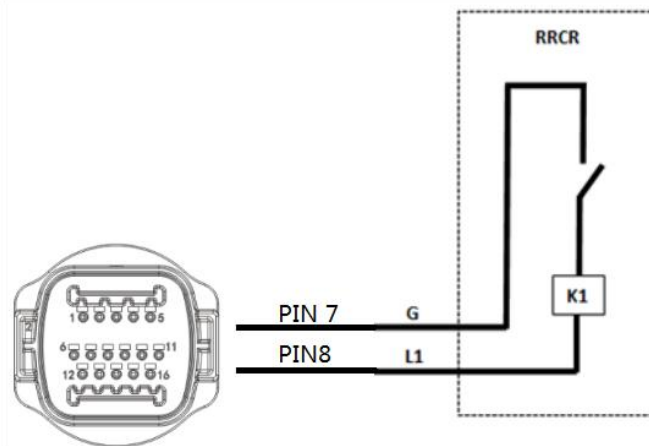


Table 4-9 Function description of the terminal

Pin NO.	Pin name	Description	Connected to (RRCR)
8	L1	Relay contact 1 input	K1 - Relay 1 output
7	G	GND	K1 - Relay 1 output

Table 4-10 The inverter is preconfigured to the following RRCR power levels,close is 1, open is 0

L1	Active Power	Power drop rate	Cos(φ)
1	0%	<5 seconds	1
0	100%	/	1

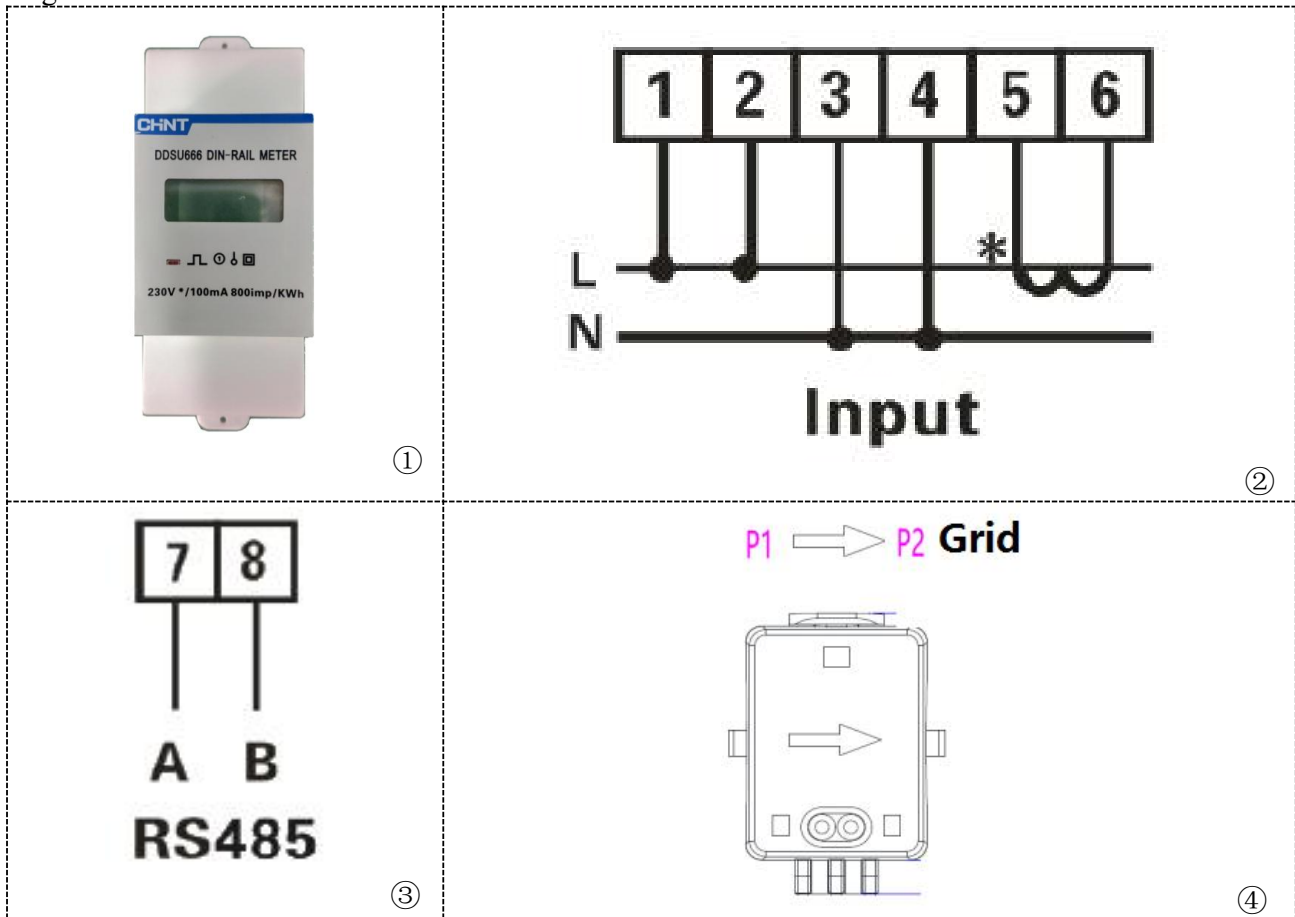
### 3.Meter/CT

PIN15 and PIN16 are used for meter communication, the electricity meter is shown in the fig.①, PIN15 and PIN16 correspond to 7,8 respectively on the electricity meter, as shown in fig.③.

The connection mode is shown in fig.②. The 1/2 and 3/4 on the electricity meter are connected to voltage signals L and N respectively. And the current needs to be connected through the current transformer,5,6 correspond to the current transformer.

NOTE: The direction of the current transformer is shown in fig.④.

Fig.4-14 Meter



If you need to use the CT alone, attach the CT to PIN13 and PIN14.

There are two ways to get grid current information :

Plan A:CT

Plan B:Meter +CT

Fig. 4-15 Electrical connections (Plan A:CT)

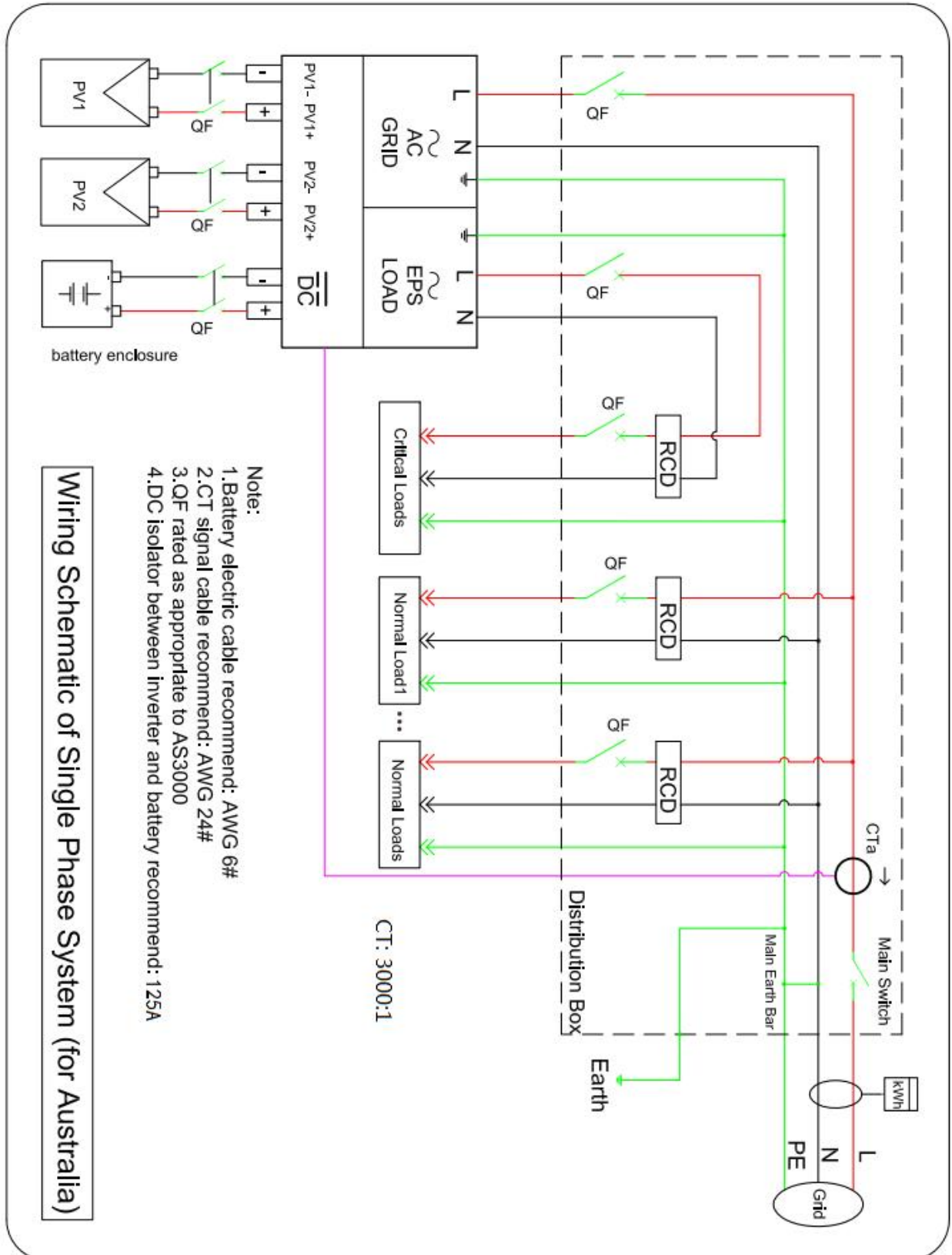
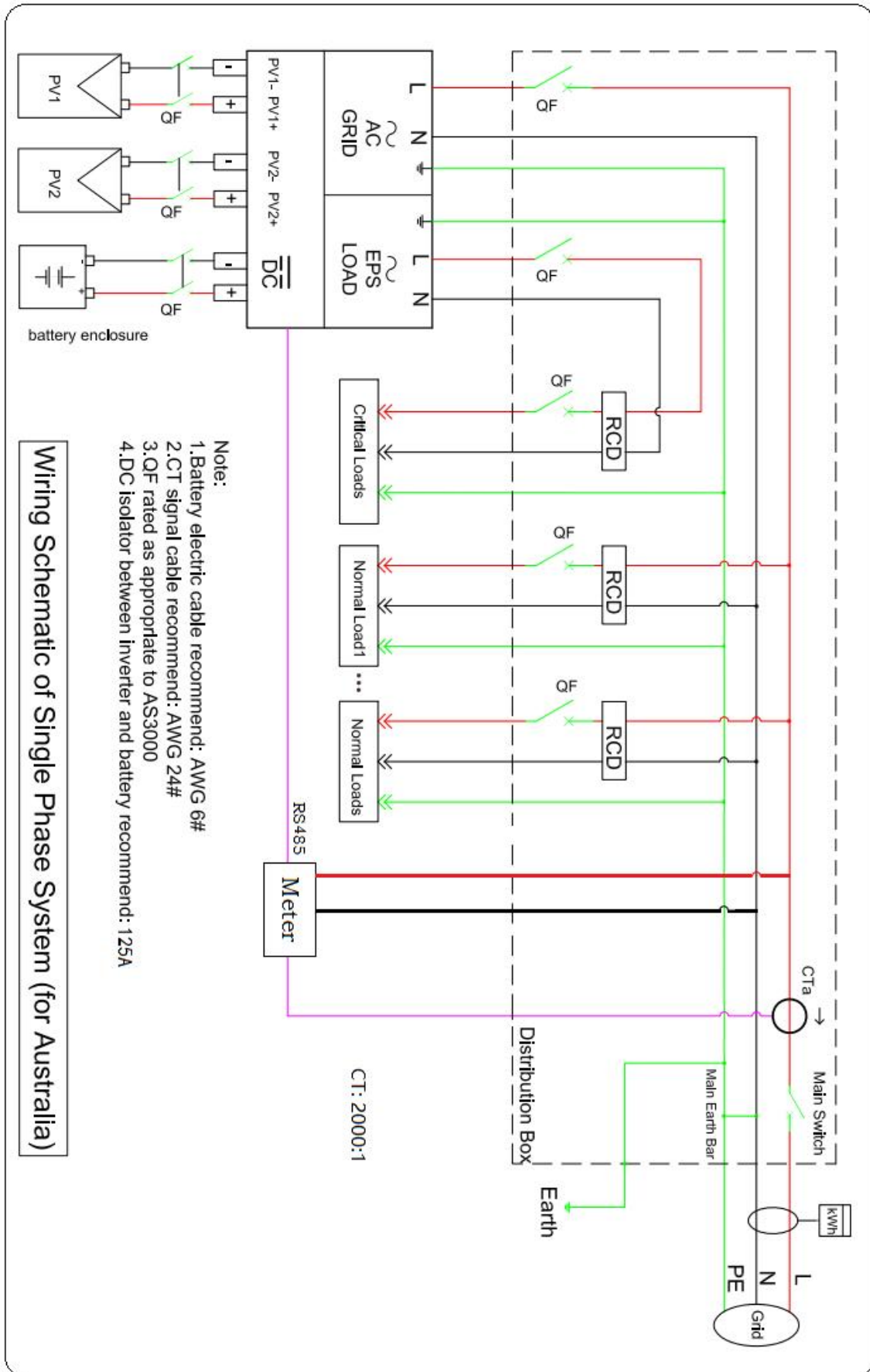


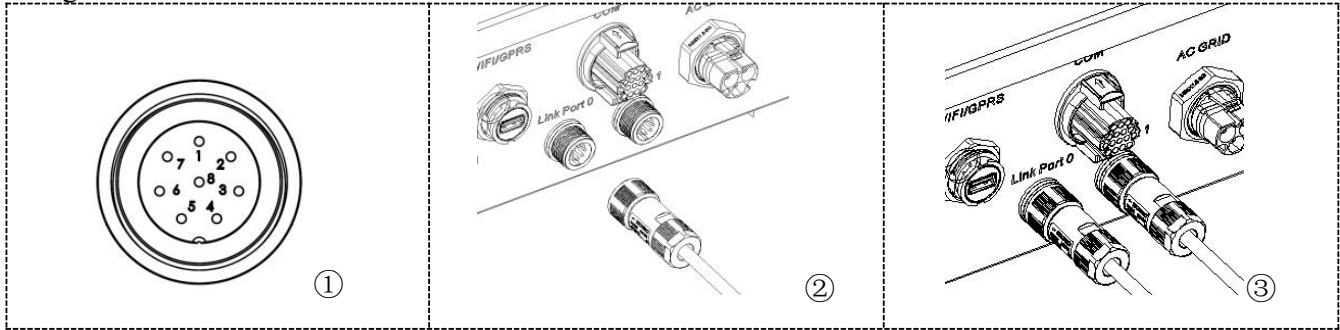
Fig. 4-16 Electrical connections (Plan B: Meter +CT)





### 4.7.3 Link Port 0&1-Cascade communication interface

Fig.4-17 Link Port

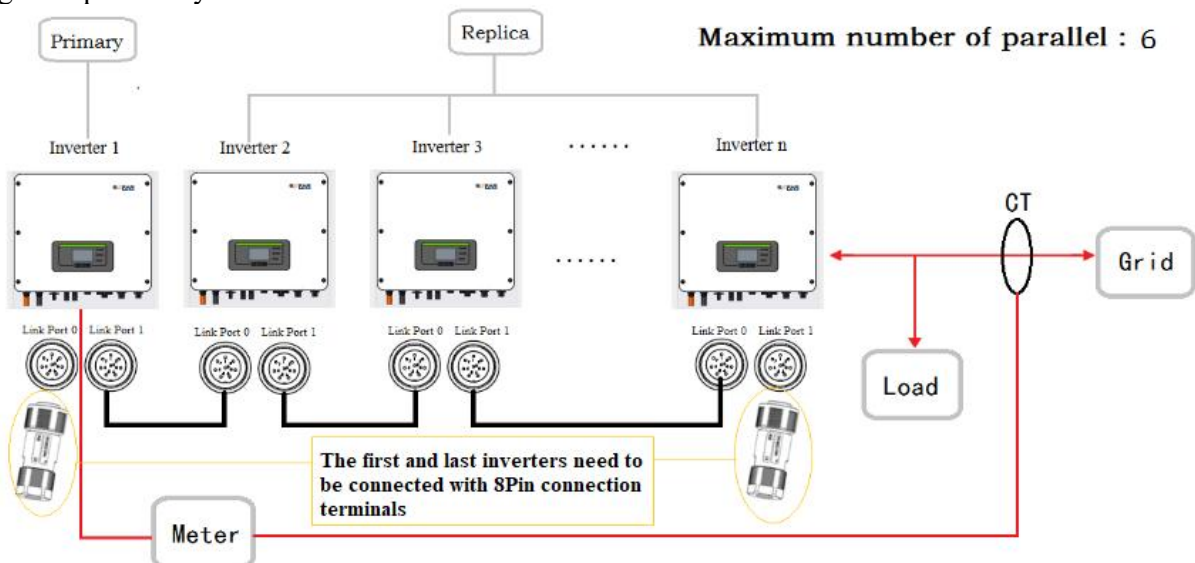


When using the parallel system, the inverter settings and notes please refer to this manual<6.3.2 Advanced setting→6.Parallel setting>.

**Note(AC LOAD is also parallel for parallel machines):**

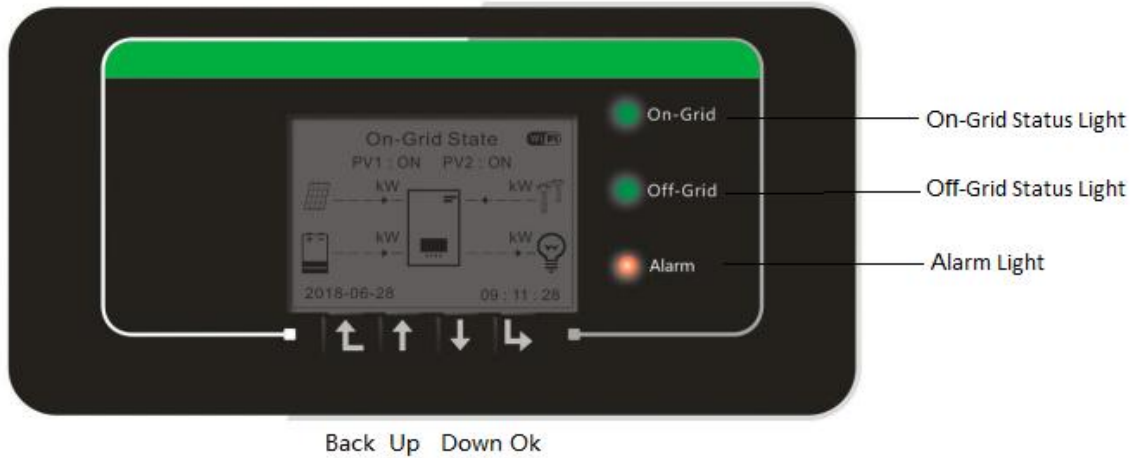
1. The first and last inverters need to be connected with 8Pin connection terminals.
2. The cable length of the AC LOAD terminal connected from the LOAD terminal to each machine shall be consistent with the specification of the cable length, so as to ensure that the loop impedance is consistent and the current of the LOAD current diverted to each machine is nearly equal.
3. When the total power of AC Load is greater than 110% of the rated power of the machine ( For example, one inverter AC LOAD has a maximum allowable power of 5.5kVA and six parallel machines AC LOAD has a maximum allowable power of 33kVA ), the Load should not be connected to AC Load and should be connected to AC Grid.
4. When inverters in parallel, All AC grid should be Shared a total air switch; All AC LOAD should be Shared another total air switch .

Fig.4-18 parallel system



# 5. Buttons and indicator lights

Fig.5-1 Buttons and indicator lights



## 5.1. Buttons

- ✧ press “Back” to the previous screen or enter the main interface.
- ✧ press “Up” to the upper menu option or value plus 1.
- ✧ press “Down” to the lower menu option or value minus 1.
- ✧ Press “OK” to select the current menu option or switch to the next digit.

## 5.2. Indicator lights and status

Status	On Grid Green light	Off-Grid Green light	Alarm Red light
On-grid	ON		
Standby (On-Grid)	Flashing		
Off-Grid		ON	
Standby (Off-Grid)		Flashing	
Alarm			ON



## 6. Operation

### 6.1. Double Check

Please double check the following before operation.

1. Inverter is firmly fastened to the mounting bracket on the wall.
2. PV+/PV- wires are firmly connected, polarity and voltage are correct.
3. BAT+/BAT- wires are firmly connected, polarity and voltage are correct.
4. DC isolator is correctly connected between battery & inverter, DC isolator: OFF.
5. GRID / LOAD cables are firmly / correctly connected.
6. AC circuit breaker is correctly connected between inverter GRID port & GRID, circuit breaker: OFF.
7. AC circuit breaker is correctly connected between inverter LOAD port & critical load, circuit breaker: OFF.
8. For lithium battery, please ensure that the communication cable has been correctly connected.

### 6.2. First Time Setup (IMPORTANT!)

**IMPORTANT: Please follow the following procedure to switch ON inverter.**

1. Make sure there's no power generation in inverter's phase.
2. Turn ON DC switch.
3. Switch ON the battery. Turn ON DC isolator between battery & inverter.
4. Turn ON AC circuit breaker between the inverter GRID port & GRID.
5. Turn ON AC circuit breaker between the inverter LOAD port & critical load.
6. Inverter should start to operate now.

You need to set the following parameters before inverter starts to operate.

Table 6- 1 Set the parameters


Parameter	Note
1.OSD Language Option	The default English.
2.System time setting and confirmation	If you are connected to the host computer such as collector or mobile phone APP, the time should have been calibrated to the local time.
*3.Safety parameter import	The Select safety regulations page is displayed, select safety country, and enter country code. Then select the safety region.Or select USB file, you need to find the safety parameters file (named after the corresponding safety country) on the website, download it to the usb flash drive, and import it.
4.Setting Input Mode	You can select the PV input mode as required.
*5.Set battery parameters	Default values can be displayed according to the input channel configuration.
6. Setup is complete	

Table 6-2 List of regulated countries

Code		Country	Code		Country
0	00	Germany VDE4105	18	00	EU-EN50438
	01	Germany BDEW		01	EU-EN50549
	02	Germany VDE0126	19	00	IECEN61727
1	00	Italia CEI-021In.	20	00	Korea
	01	Italia CEI-016	21	00	Sweden
	02	Italia CEI-021Ex.	22	00	EU General
	03	Italia CEI-021Ar.	24	00	Cyprus
2	00	Australia	25	00	India
	08	Australia-B	26	00	Philippines PHI
	09	Australia-C	27	00	New Zealand
3	00	Spain ESP-RD1699	28	00	Brazil
	02	Spain NTS		01	Brazil- LV

	03	Spain UNE217002+RD647		02	Brazil-230
	04	Spain island		03	Brazil-254
4	00	Turkey	29	00	Slovakia SK-VSD
5	00	Denmark		01	Slovakia SK-SSE
	01	Denmark DK-TR322		02	Slovakia SK-ZSD
6	00	Greece GR-Cont.	30	00	Czechia
	01	Greece GR-Island	33	00	Ukraine
7	00	Netherland	34	01	Norway-LV
8	00	Belgium	35	00	Mexico-LV
9	00	UK-G99	38	/	Wide-Range-60H z
	01	UK-G98	39	/	Ireland
10	00	China-B	40	00	Thailand Thai-PEA
	01	China Taiwan		01	Thailand Thai-MEA
	02	TrinaHome	44	00	South Africa
	03	China HongKong	46	00	Dubai DEWG
	04	SKYWORTH		01	Dubai DEWG-MV
	05	CSISolar	107	00	Croatia
	06	CHINT	108	00	Lithuania
09	China-A	111	00	Columbia	
11	00		France	01	Columbia-LV
	01	France FRArrete23	121	00	Saudi Arabia

	03	France VFR 2019	122	00	Latvia
12	00	Poland	123	00	Romania
13	00	Austria			
15	00	Switzerland Type A			
	01	Switzerland Type B			

	<b>CAUTION</b>
	<p>It's very important to make sure that you have selected the correct country code according to requirements of local authority. Please consult qualified electrical engineer or personnel from electrical safety authorities about this.</p> <p>Shenzhen SOFARSOLAR Co., Ltd. is not responsible for any consequences arising out of incorrect country code selection.</p>

\*4.Set battery parameters (Take the default input channel configuration as an example).Start with battery 1 and work your way up to battery n.

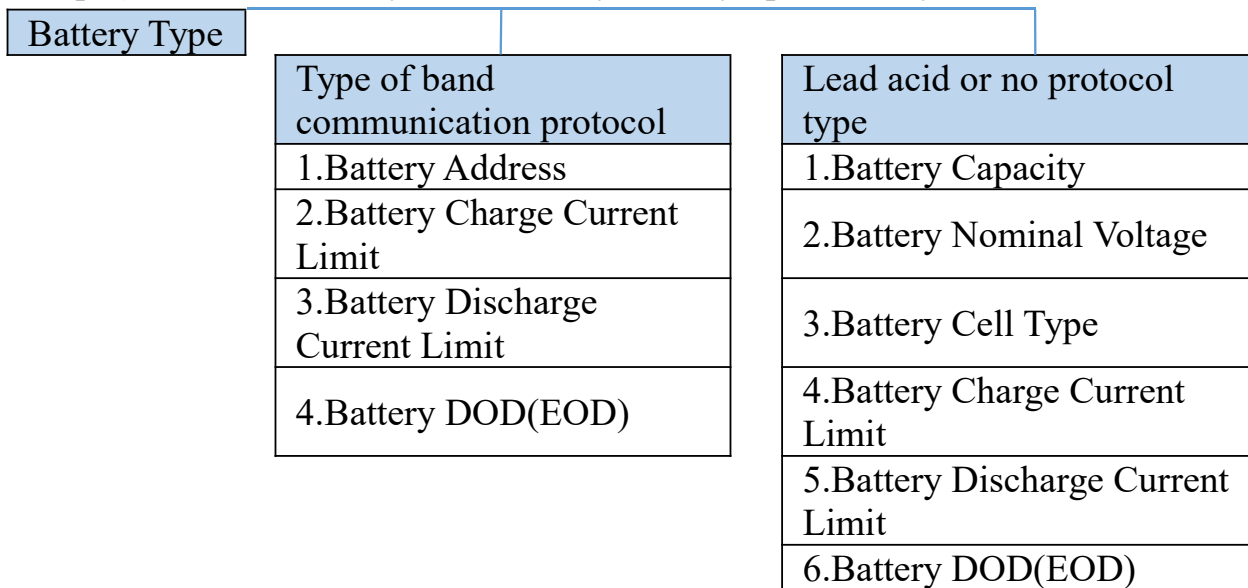
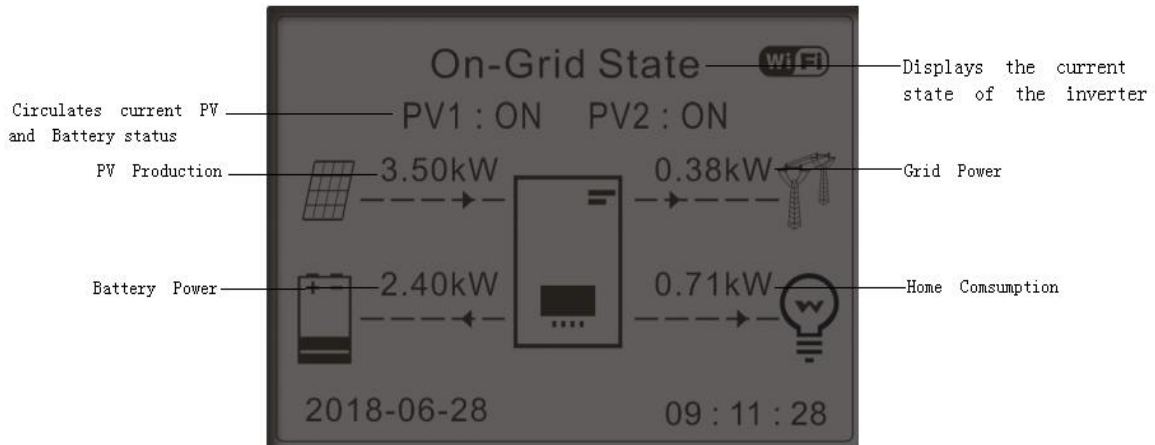


Table 6-2 Default values for other Settings

Item	The default state
Energy Storage Mode	Self-use mode
EPS Mode	Disable
Feed-in Limitation	Disable
IV Curve Scan	Disable
Logic interface	Disable

## 6.3. Menu

Fig 6-1. Main interface



In the main interface, press “Down” button to enter grid/battery parameters page.

Main interface	Down↓	<b>Grid Output Information</b>
		Grid(V) .....***.*V
		AC Current .....**.*A
		Frequency.....**.*Hz
		<b>Battery Information (1)</b>
		Batt (V).....***.*V
		Batt Chrs Curr.....**.*A
		Batt DisChrs Curr.....**.*A
	Down ↓	Batt Power.....**.*KW
		Batt1 Temp.....*°C
		Batt1 SOC.....**%0
		Batt1 Cycles.....*T

In the main interface, press “UP” button to enter PV parameters page.

Main interface	Up↑	<b>PV Information</b>
		PV1 Voltage.....***.*V
		PV1 Current.....**.*A
		PV1 Power.....**.*KW
		PV2 Voltage.....***.*V
		PV2 Current.....**.*A
		PV2 Power.....**.*KW
		Inverter Temp.....*°C

In the main interface, press “back” button to enter main menu. The main menu has the following six options.

Main interface	Back	1.System Settings
		2.Advanced Settings
		3.Energy Statistic
		4.System Information
		5.Event List

6.Software Update

### 6.3.1 System setting

1. System Setting	OK	1.Language Settings
		2.Time
		3.Safety Param.
		4.Energy Storage Mode
		5.Auto Test(Only for Italy)
		6.PV Input Mode
		7.EPS Mode
		8.Communication Addr.

#### 1. Language Settings

Used to set the menu display language.

1.Language Settings	OK	1.中文	OK
		2.English	
		3.Italiano	
		4.	
		.....	

#### 2. Time

Set the system time for the inverter.

2.Time	OK	Time
		2020-05-13 17:07:00

#### 3. Safety Param

User can modify the Safety Param of the machine through the usb flash disk, and the user needs to copy the parameter information that needs to be modified into the usb flash disk card in advance.

Note:To enable this feature, please contact the Sofarsolar technical support .

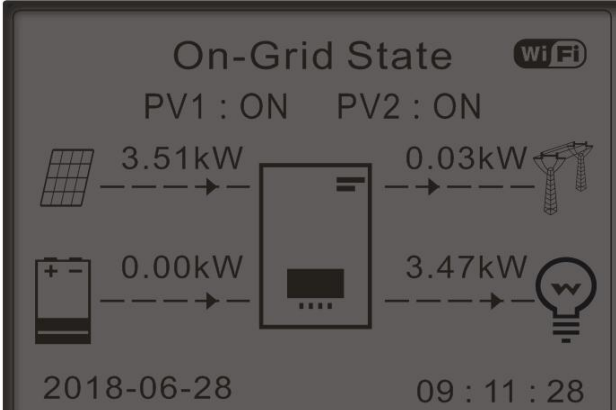
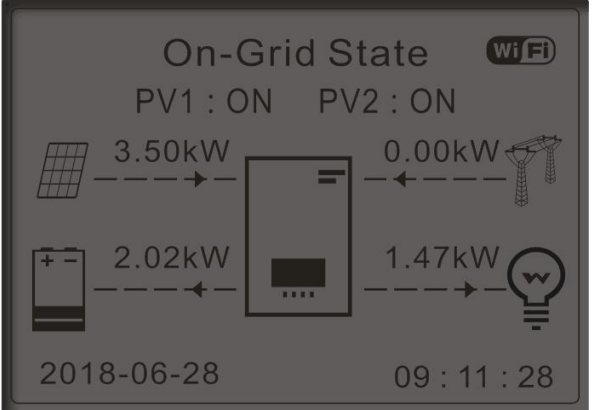
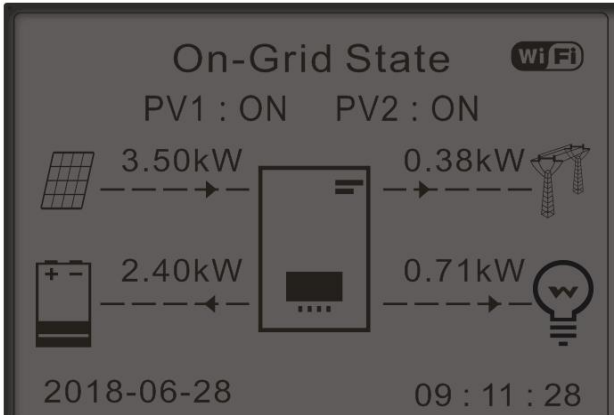
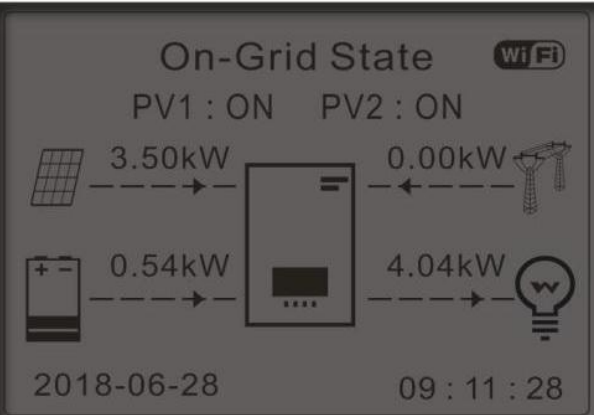
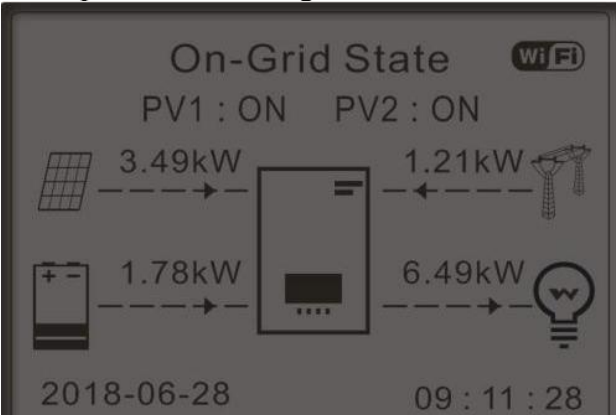
#### 4. Energy Storage Mode

4.Energy Storage Mode	OK	1.Self-use Mode	OK
		2.Time-of-use Mode	
		3.Timing Mode	
		4.Passive Mode	OK

#### Self-use Mode

In Self-use mode, inverter will automatically charge & discharge the battery.

1) If PV generation = LOAD consumption ( $\Delta P < 100W$ ) inverter	2) If PV generation > LOAD consumption, the surplus power will
---	--

<p>won't charge or discharge the battery.</p>  <p>On-Grid State <span>WiFi</span>          PV1 : ON PV2 : ON          3.51kW → 0.03kW          0.00kW → 3.47kW          2018-06-28 09 : 11 : 28</p>	<p>be stored in the battery.</p>  <p>On-Grid State <span>WiFi</span>          PV1 : ON PV2 : ON          3.50kW → 0.00kW          2.02kW ← 1.47kW          2018-06-28 09 : 11 : 28</p>
<p>3) If the battery is full(or already at Max Charge Power), excess power will be exported to the grid.</p>  <p>On-Grid State <span>WiFi</span>          PV1 : ON PV2 : ON          3.50kW → 0.38kW          2.40kW ← 0.71kW          2018-06-28 09 : 11 : 28</p>	<p>4) If PV generation &lt; LOAD consumption, it will discharge the battery to supply power to load.</p>  <p>On-Grid State <span>WiFi</span>          PV1 : ON PV2 : ON          3.50kW → 0.00kW          0.54kW ← 4.04kW          2018-06-28 09 : 11 : 28</p>
<p>5) If PV generation + Battery &lt; LOAD consumption, inverter will import power from the grid.</p>  <p>On-Grid State <span>WiFi</span>          PV1 : ON PV2 : ON          3.49kW → 1.21kW          1.78kW → 6.49kW          2018-06-28 09 : 11 : 28</p>	

**Time-of-use Mode**

If electricity is more expensive in high demand time (peak rate) & electricity is much cheaper in low demand time (off-peak rate).

You can select an off-peak period to charge your battery. Outside the off-peak charge period, inverter is working in Auto Mode.

If your family normally go to work/school on weekdays & stay at home on weekends, which means the home electricity consumption is much higher on



weekends. Thus, you need to store some cheap electricity on weekends only. This is possible using our Time-of-use mode.

In summer, if your PV system can produce more electricity than your home electricity consumption. Then you don't need to set an off-peak charge period to charge your battery in summer at all. You can select an effective date (normally winter) for Time-of-use mode in this case. Outside the effective date, inverter is working in Auto Mode.

You can set multiple Time-of-use rules to meet your more complex requirement. Right now we support 4 rules maximum (rule 0/1/2/3).

2. Time-of-use Mode	OK	Set Time-of-use Mode
		Rules. 0: Enabled/Disabled
		From To SOC Charge
		02h00m - 04h00m 070% 01000W
		Effective date
		Dec. 22 - Mar. 21
		Weekday select
		Mon. Tue. Wed. Thu.
		Fri. Sat. Sun.

**Set Timing Mode**

Changing the value of a rule can set multiple timing rules.

3. Timing Mode	OK	Timing Mode
		Rules. 0: Enabled/Disabled
		Charge Start 22 h 00 m
		Charge End 05 h 00 m
		Charge Power 02000 W
		DisCharge Start 14 h 00m
		DisCharge End 16 h 00m
		DisCharge Power 02500 W

**Passive Mode**

For more detailed information, please ask representative of SOFAR to get a copy of passive mode communication protocol.

5. Auto Test (ONLY for Italian Market)

5. Auto Test	OK	1. Autotest Fast
		2. Autotest STD

**Autotest Fast**

1. Autotest Fast	OK	Start Autotest	Press "Ok" to start
		Testing 59.S1...	
		↓	Wait
		Test 59.S1 OK!	
		↓	Wait

Testing 59.S2...	
↓	Wait
Test 59.S2 OK!	
↓	Wait
Testing 27.S1...	
↓	Wait
Test 27.S1 OK!	
↓	Wait
Testing 27.S2...	
↓	Wait
Test 27.S2 OK!	
↓	Wait
Testing 81>S1...	
↓	Wait
Test 81>S1 OK!	
↓	Wait
Testing 81>S2...	
↓	Wait
Test 81>S2 OK!	
↓	Wait
Testing 81<S1...	
↓	Wait
Test 81<S1 OK!	
↓	Wait
Testing 81<S2...	
↓	Wait
Test 81<S2 OK!	
↓	Press "Ok"
Auto Test OK!	
↓	Press "Down"
59.S1 threshold 253V 900ms	
↓	Press "Down"
59.S1: 228V 902ms	
↓	Press "Down"
59.S2 threshold 264.5V 200ms	
↓	Press "Down"
59.S2: 229V 204ms	
↓	Press "Down"
27.S1 threshold 195.5V 1500ms	
↓	Press "Down"
27.S1: 228V 1508ms	
↓	Press "Down"
27.S2 threshold 34.5V 200ms	
↓	Press "Down"

27.S2: 227V 205ms	
↓	Press "Down"
81>.S1 threshold 50.5Hz 100ms	
↓	Press "Down"
81>.S1 49.9Hz 103ms	
↓	Press "Down"
81>.S2 threshold 51.5Hz 100ms	
↓	Press "Down"
81>.S2 49.9Hz 107ms	
↓	Press "Down"
81<.S1 threshold 49.5Hz 100ms	
↓	Press "Down"
81<.S1 50.0Hz 105ms	
↓	Press "Down"
81<.S2 threshold 47.5Hz 100ms	
↓	Press "Down"
81<.S2 50.1Hz 107ms	

**Autotest STD**

2.Autotest STD Press OK to start

The test procedure is same as Autotest Fast, but it's much more time consuming.

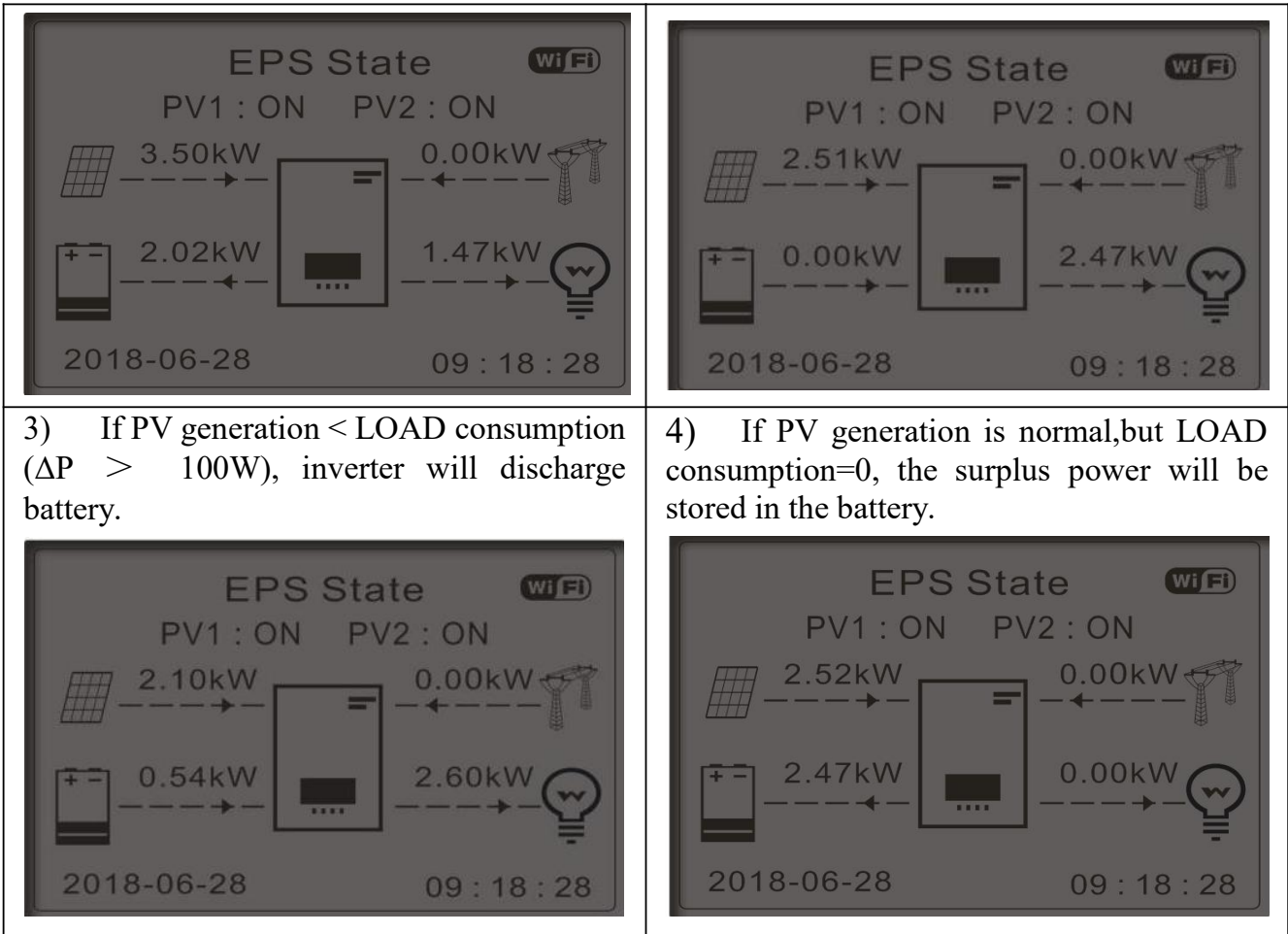
6. PV Input Mode

6.PV Input Mode	OK	Parallel	OK	Success
		Independent	OK	Success

7. EPS Mode

7.EPS Mode	OK	1.EPS Mode Control	OK	1.Enable EPS Mode	OK
				2.Disable EPS Mode	

1) If PV generation > LOAD consumption ( $\Delta P > 100W$ ), inverter will charge battery.	2) If PV generation = LOAD consumption, inverter wont' charge or discharge battery.
---	---



3) If PV generation < LOAD consumption ( $\Delta P > 100W$ ), inverter will discharge battery.

4) If PV generation is normal, but LOAD consumption=0, the surplus power will be stored in the battery.

8. Communication Addr

8.Communication Addr	OK	1.Communication Addr	OK
		2.Baud Rate	OK

6.3.2 Advanced setting

2.Advanced setting OK

Input 0001

1.Battery Parameter
2.Feed-in Limitation
3.IV Curve Scan
4.Logic Interface
5.Factory Reset
6.Parallel settings
7.Reset Bluetooth
8.CT Calibration
9.Battery Active
10.Set PCC Meter

1. Battery Parameter

1.Battery Parameter	OK	1.Battery Type	4.Max Discharge (A)
		2.PYLON-AH	5.Discharge Depth

(Only for PYLON)		OK
3.Max Charge (A)	6.Save	

**Depth of Discharge**

For example: if Discharge Depth = 50% & EPS Discharge Depth = 80%.

While grid is connected: Inverter won't discharge the battery when its SOC is less than 50%.

In case of blackout: Inverter will work in EPS mode (if EPS mode is enabled) & keep discharging the battery till battery SOC is less than 20%.

5.Discharge Depth	OK	Discharge Depth 80%
		Discharge Depth EPS 80%
		EPS Safety Buffer 20%

**2. Feed-in Limitation**

The user can enable “Feed-in Limitation” to limit the max export power to grid.Reflux Power set is desired max export power to grid. Refer to 4.7.2 for connection of the system when using Feed-in Limitation function.

2.Feed-in Limitation	OK	1.Feed-in Limitation	OK	Enable
		2.Feed-in Power	OK	Disable
		3.Hard Limit Control	OK	***KW
				Enable
				Disable

**3. IV Curve Scan**

The user can enable “IV Curve Scan” (MPPT scan) to make inverter to find the global max power point periodically to deliver max power from a partially shaded PV array.

The user can input scan period or make inverter to perform a scan right away.

3.IV Curve Scan	OK	1.Scan Control	OK	Enable
		2.Scan Period	OK	Disable
		3.Force Scan	OK	***min(s)

**4. Logic Interface**

Enable or disable logical interfaces. Please refer to this manual 4.7.2, inverter logic interface connection for details.

4.Logic Interface	OK	Enable	OK
-------------------	----	--------	----

Disable OK

5. Factory Reset

5.Factory Reset	OK	1.Clear Energy Data	OK
		2.Clear Events	OK

Clean the inverter of the total power generation.

1.Clear Energy Data	OK	Please confirm!	Cancel	OK
			Clear	OK

Clean up the historical events recorded in the inverter.

2..Clear Events	OK	Please confirm!	Cancel	OK
			Clear	OK

6. Parallel setting

Please refer to <4.7.3 Link Port 0&1-Cascade communication interface> for the connection method of the parallel system.

6.Parallel setting	OK	1.Parallel Control
		2.Parallel Primary-Replica
		3.Parallel Address
		4.Save

1. Parallel Control: Enable or disable parallel functions. Both the master and the slave must enable this function.

2. Parallel Primary-Replica: Set up the Primary and Replica. Select one inverter as the Primary and set the others to Replica.

3. Parallel Address: Set the parallel address. Each inverter needs to set a parallel address, and the parallel address in a parallel system cannot be repeated.

(NOTE: The parallel address is different from the communication address used for monitoring.)

4. Save: Save after the setup is complete.

7. Bluetooth Reset

7.Bluetooth Reset	OK	Please confirm!	OK	Success
-------------------	----	-----------------	----	---------

8. CT Calibration

To calibrate the direction and phase of the CT, the battery should be charged or discharged when using this function.

8.CT Calibration	OK	Start CT Calibration	Calibrating	Sucess/Fault
------------------	----	----------------------	-------------	--------------

Check if the battery is charging or discharging when calibration fails.

### 6.3.3 Energy Statistic

3.Energy Statistic	OK	Today	PV .....***KWH
			Load .....***KWH
			Export .....***KWH
			Import.....***KWH
			Charge.....***KWH
			Discharge.....***KWH
	Down↓	Month	PV .....***KWH
			Load .....***KWH
			Export .....***KWH
			Import.....***KWH
			Charge.....***KWH
			Discharge.....***KWH
	Down↓	Year	PV .....***KWH
			Load .....***KWH
			Export .....***KWH
			Import.....***KWH
			Charge.....***KWH
			Discharge.....***KWH
	Down↓	Lifetime	PV .....***KWH
			Load .....***KWH
			Export .....***KWH
			Import.....***KWH
			Charge.....***KWH
			Discharge.....***KWH

### 6.3.4 System information

4.System information	OK	1.Inverter Info
		2.Battery Info
		3.Safety Param.
		4.debug info
1.Inverter Info	OK	Inverter Info (1)
		Product SN
		Hardware Version
		Power Level



	Down↓	Safety Firmware Version
		Inverter Info (2)
		Software Version
		Country
	Down↓	Inverter Info (3)
		PV Input Mode
		Energy Storage Mode
		RS485 Address
		EPS Mode
	Down↓	Inverter Info (4)
		IV Curve Scan
		Logic Interface
	Down↓	Inverter Info (5)
		Power Factor
		Feed-in Limitation
		Insulation resistance
2.Battery Info	OK	Bat1 Information(1)
		Battery Type
		Battery Capacity
		Discharge Depth
	Down↓	Bat1 Information(2)
		Max Charge (A)
		Max Charge (V)
		Max Discharge (A)
		Min Discharge (V)
3.Safety Param.	OK	Safety Param.(1)
		OVP 1
		OVP 2
		UVP 1
		UVP 2
	Down↓	Safety Param. (2)
		OFP 1
		OFP 2
		UFP 1
		UFP 2
	Down↓	Safety Param. (3)
		OVP 10mins
4.debug info	OK	debug info
		Dsp1 version
		Stat1

Stat2
Stat3

### 6.3.5 Event List

Event List is used to display the real-time event records, including the total number of events and each specific ID No. and happening time. User can enter Event List interface through main interface to check details of real-time event records, Event will be listed by the happening time, and recent events will be listed in the front.

5.Event List	OK	1.Current Event List	OK	ID042 IsoFault
		2.History Event List		
2.History Event List	OK	1.ID001 2020-4-3 14:11:45	OK	1.ID001 GridOVP
		2.ID005 2020-4-3 11:26:38		2.ID005 GFCI

### 6.3.6 Software Update

HYD 3K~6K-EP inverters offer software upgrade via usb flash drive to maximize inverter performance and avoid inverter operation error caused by software bugs.

Upgrade file folder name is firmwareHYD-EP. The three upgrade file names are HYD-EP\_ARM.bin, HYD-EP\_DSPM.bin, HYD-EP\_DSPS.bin.

**Step 1** Insert the usb flash drive into the compute.

**Step 2** SOFAR SOLAR will send the Software code to the user who needs to update. After user receive the file,please decompressing file and cover the original file in usb flash drive.

**Step 4** Insert the usb flash drive into the USB/Wifi interface.

**Step 5** Then turn on DC switch.

**Step 6**

6.Software Update	OK	Input password	OK	<b>Input 0715</b>
				Start Update
				Updating DSP1
				Updating DSP2

## Updating ARM

**Step 7** If the following errors occur, please upgrade again. If this continues many times, contact technical support for help.

USB Fault	MDSP File Error	SDSP File Error
ARM File Error	Update DSP1 Fail	Update DSP2 Fail
Update ARM Fail		

**Step 8** After the update is completed, turn off the DC breaker, wait for the LCD screen to extinguish, then restore the WiFi connection and then turn on the DC breaker and AC breaker again, the inverter will enter the running state. User can check the current software version in SystemInfo>>SoftVersion.

# 7. Troubleshooting

This section contains information and procedures for solving possible problems with the inverter.

- This section help users to identify the inverter fault. Please read the following procedures carefully:
- ✧ Check the warning, fault messages or fault codes shown on the inverter screen, record all the fault information.
- ✧ If there is no fault information shown on the screen, check whether the following requirements are met:
  - Is the inverter mounted in a clean, dry place with good ventilation?
  - Is the DC switch turned ON?
  - Are the cables adequately sized and short enough?
  - Are the input and output connections and wiring in good condition?
  - Are the configuration settings correct for the particular installation?
  - Are the display panel and the communication cables properly connected and undamaged?
- Follow the steps below to view recorded problems: Press "Back" to enter the main menu in the normal interface. In the interface screen select "Event List", then press "OK" to enter events.
- Earth Fault Alarm

This inverter complies with IEC 62109-2 clause 13.9 for earth fault alarm monitoring.

If an Earth Fault Alarm occurs, the fault will be displayed on the LCD screen, the red light will be on, and the fault can be found in the history of the fault. For the machine installed with WiFi/GPRS, the alarm information can be seen on the corresponding monitoring website, and can also be received by the APP on the mobile phone.
- EventList information

Table 7-1 Eventlist

Code	Name	Description	Solution
ID001	GridOVP	The grid voltage is too high	<p>If the alarm occurs occasionally, the possible cause is that the electric grid is abnormal occasionally. Inverter will automatically return to normal operating status when the electric grid's back to normal.</p> <p>If the alarm occurs frequently, check whether the grid voltage/frequency is within the acceptable range. If yes, please check the AC circuit breaker and AC wiring of the inverter.</p> <p>If the grid voltage/frequency is NOT within the acceptable range and AC wiring is correct, but the alarm occurs repeatedly, contact technical support to change the grid over-voltage, under-voltage, over-frequency, under-frequency protection points after obtaining approval from the local electrical grid operator.</p>
ID002	GridUVP	The grid voltage is too low	
ID003	GridOFP	The grid frequency is too high	
ID004	GridUFP	The grid frequency is too low	
ID005	GFCI	Charge Leakage Fault	<p>Internal faults of inverter, switch OFF inverter, wait for 5 minutes, then switch ON inverter. Check whether the problem is solved.</p> <p>If no, please contact technical support.</p>
ID006	OVRT fault	OVRT function is faulty	
ID007	LVRT fault	LVRT function is faulty	
ID008	IslandFault	Island protection error	
ID009	GridOVPIstant1	Transient overvoltage of grid voltage 1	
ID010	GridOVPIstant2	Transient overvoltage of grid voltage 2	
ID011	VGridLineFault	Power grid line voltage error	
ID012	InvOVP	Inverter voltage overvoltage	
ID017	HwADFaultIGrid	Power grid current sampling error	
ID018	HwADFaultDCI	Wrong sampling of dc component of grid current	
ID019	HwADFaultVGri d(DC)	Power grid voltage sampling error (DC)	
ID020	HwADFaultVGri d(AC)	Power grid voltage sampling error (AC)	
ID021	GFCIDeviceFault (DC)	Leakage current sampling error (DC)	
ID022	GFCIDeviceFault (AC)	Leakage current sampling error (AC)	
ID023	HwADFaultDCV	Error in dc component sampling of load voltage	
ID024	HwADFaultIdc	Dc input current sampling error	

ID029	ConsistentFault_GFCI	Leakage current consistency error	
ID030	ConsistentFault_Vgrid	Grid voltage consistency error	
ID033	SpiCommFault(DC)	SPI communication error (DC)	
ID034	SpiCommFault(AC)	SPI communication error (AC)	
ID035	SChip_Fault	Chip error (DC)	
ID036	MChip_Fault	Chip error (AC)	
ID037	HwAuxPowerFault	Auxiliary power error	
ID041	RelayFail	Relay detection failure	
ID042	IsoFault	Low insulation impedance	Check the insulation resistance between the photovoltaic array and ground (ground), if there is a short circuit, the fault should be repaired in time.
ID043	PEConnectFault	Ground fault	Check ac output PE wire for grounding.
ID044	PvConfigError	Error setting input mode	Check the PV input mode (parallel/independent mode) Settings for the inverter. If not, change the PV input mode.
ID045	CTDisconnect	CT error	Check whether the CT wiring is correct.
ID048	FanFault	FanFault	Please check whether the fan 1 of inverter is running normally.
ID049	TempFault_Bat	Battery temperature protection	Make sure the inverter is installed where there is no direct sunlight.
ID050	TempFault_HeatSink1	Radiator 1 temperature protection	Please ensure that the inverter is installed in a cool/well ventilated place.
ID051	TempFault_HeatSink2	Radiator 2 temperature protection	Ensure the inverter is installed vertically and the ambient temperature is below the inverter temperature limit.
ID052	TempFault_HeatSin3	Radiator 3 temperature protection	
ID053	TempFault_HeatSink4	Radiator 4 temperature protection	
ID054	TempFault_HeatSin5	Radiator 5 temperature protection	
ID055	TempFault_HeatSin6	Radiator 6 temperature protection	
ID057	TempFault_Env1	Ambient temperature 1 protection	
ID058	TempFault_Env2	Ambient temperature 2 protection	
ID059	TempFault_Inv1	Module 1 temperature protection	
ID060	TempFault_Inv2	Module 2 temperature protection	
ID061	TempFault_Inv3	Module 3 temperature protection	
ID065	VbusRmsUnbalance	Unbalanced bus voltage RMS	Internal faults of inverter, switch OFF inverter, wait for 5 minutes, then switch ON inverter. Check whether the problem is solved.
ID066	VbusInstantUnbalance	The transient value of bus voltage is	

		unbalanced	If no, please contact technical support.
ID067	BusUVP	Busbar undervoltage during grid-connection	
ID068	BusZVP	Bus voltage low	
ID069	PVOVP	PV over-voltage	Check whether the PV series voltage (Voc) is higher than the maximum input voltage of the inverter. If so, adjust the number of PV modules in series and reduce the PV series voltage to fit the input voltage range of the inverter. After correction, the inverter will automatically return to its normal state.
ID070	BatOVP	Battery over-voltage	Check whether the battery overvoltage setting is inconsistent with the battery specification.
ID071	LLCBusOVP	LLC BUS overvoltage protection	Internal faults of inverter, switch OFF inverter, wait for 5 minutes, then switch ON inverter. Check whether the problem is solved. If no, please contact technical support.
ID072	SwBusRmsOVP	Inverter bus voltage RMS software overvoltage	
ID073	SwBusInstantOVP	Inverter bus voltage instantaneous value software overvoltage	
ID081	SwBatOCP	Battery overcurrent software protection	
ID082	DciOCP	Dci overcurrent protection	
ID083	SwOCPInstant	Output instantaneous current protection	
ID084	SwBuckBoostOCP	BuckBoost software flow	
ID085	SwAcRmsOCP	Output effective value current protection	
ID086	SwPvOCPInstant	PV overcurrent software protection	
ID087	IpvUnbalance	PV flows in uneven parallel	
ID088	IacUnbalance	Unbalanced output current	
ID097	HwLLCBusOVP	LLC bus hardware overvoltage	
ID098	HwBusOVP	Inverter bus hardware overvoltage	
ID099	HwBuckBoostOCP	BuckBoost hardware overflows	
ID100	HwBatOCP	Battery hardware overflows	
ID102	HwPVOCP	PV hardware overflows	
ID103	HwACOCP	Ac output hardware overflows	
ID110	Overload1	Overload protection 1	Please check whether the inverter is operating under overload.
ID111	Overload2	Overload protection 2	
ID112	Overload3	Overload protection 3	
ID113	OverTempDerati	Internal temperature is	Make sure the inverter is installed where



	ng	too high.	there is no direct sunlight. Please ensure that the inverter is installed in a cool/well ventilated place. Ensure the inverter is installed vertically and the ambient temperature is below the inverter temperature limit.
ID114	FreqDerating	AC frequency is too high	Please make sure the grid frequency and voltage is within the acceptable range.
ID115	FreqLoading	AC frequency is too low	
ID116	VoltDerating	AC voltage is too high	
ID117	VoltLoading	AC voltage is too low	
ID124	BatLowVoltageAlarm	Battery low voltage protection	Please check whether the battery voltage of the inverter is too low.
ID125	BatLowVoltageShut	Battery low voltage shutdown	
ID129	unrecoverHwAcOCP	Output hardware overcurrent permanent failure	Internal faults of inverter, switch OFF inverter, wait for 5 minutes, then switch ON inverter. Check whether the problem is solved. If no, please contact technical support.
ID130	unrecoverBusOVP	Permanent Bus overvoltage failure	
ID131	unrecoverHwBusOVP	Permanent Bus hardware overvoltage failure	
ID132	unrecoverIpvUnbalance	PV uneven flow permanent failure	
ID133	unrecoverEPSBatOCP	Permanent battery overcurrent failure in EPS mode	
ID134	unrecoverAcOCPInstant	Output transient overcurrent permanent failure	
ID135	unrecoverIacUnbalance	Permanent failure of unbalanced output current	
ID137	unrecoverPvConfigError	Input mode setting error permanent failure	
ID138	unrecoverPVOCPInstant	Input overcurrent permanent fault	
ID139	unrecoverHwPVOCP	Input hardware overcurrent permanent failure	
ID140	unrecoverRelayFail	Permanent relay failure	Internal faults of inverter, switch OFF inverter, wait for 5 minutes, then switch ON inverter. Check whether the problem is solved. If no, please contact technical support.
ID141	unrecoverVbusUnbalance	Bus voltage unbalanced permanent failure	
ID145	USBFault	USB fault	Check the USB port of the inverter
ID146	WifiFault	Wifi fault	Check the Wifi port of the inverter
ID147	BluetoothFault	Bluetooth fault	Check the bluetooth connection of the inverter
ID148	RTCFault	RTC clock failure	Internal faults of inverter, switch OFF inverter, wait for 5 minutes, then switch ON
ID149	CommEEPROM	Communication board	

	Fault	EEPROM error	
ID150	FlashFault	Communication board FLASH error	inverter. Check whether the problem is solved. If no, please contact technical support.
ID153	SciCommLose(DC)	SCI communication error (DC)	
ID154	SciCommLose(AC)	SCI communication error (AC)	
ID155	SciCommLose(Fuse)	SCI communication error (Fuse)	
ID156	SoftVerError	Inconsistent software versions	Contact for technical support and software upgrades.
ID157	BMSCommunicationFault	Communication failure of lithium battery	Make sure your battery is compatible with the inverter. CAN communication is recommended. Check the communication line or port of the battery and inverter for faults.
ID161	ForceShutdown	Force shutdown	The inverter is performed a forced shutdown
ID162	RemoteShutdown	Remote shutdown	The inverter is performed a remote shutdown.
ID163	Drms0Shutdown	Drms0 shutdown	The inverter is performed with a Drms0 shutdown.
ID165	RemoteDerating	Remote derating	The inverter is performed for remote load reduction.
ID166	LogicInterfaceDerating	Logic interface derating	The inverter is loaded by the execution logic interface.
ID167	AlarmAntiReflexing	Feed-in Limitation derating	The inverter is implemented to prevent countercurrent load drop.
ID177	BMS OVP	BMS over-voltage alarm	Internal failure of lithium battery, close inverter and lithium battery, and wait 5 minutes to open inverter and lithium battery. Check that the problem is resolved. If not, please contact technical support.
ID178	BMS UVP	BMS under-voltage alarm	
ID179	BMS OTP	BMS high temperature warning	
ID180	BMS UTP	BMS low temperature alarm	
ID181	BMS OCP	Warning of overload in charge and discharge of BMS	
ID182	BMS Short	BMS short circuit alarm	

## Maintenance

Inverters generally do not need any daily or routine maintenance. Heat sink should not be blocked by dust, dirt or any other items. Before the cleaning, make sure that the DC SWITCH is turned OFF and the circuit breaker between inverter and electrical grid is turned OFF. Wait at least for 5 minutes before the Cleaning.

### ❖ Inverter cleaning

Please clean the inverter with an air blower, a dry & soft cloth or a soft bristle

brush. Do NOT clean the inverter with water, corrosive chemicals, detergent, etc.

✧ **Heat sink cleaning**

For the long-term proper operation of inverters, ensure there is enough space around the heat sink for ventilation, check the heat sink for blockage (dust, snow, etc.) and clean them if they exist. Please clean the heat sink with an air blower, a dry & soft cloth or a soft bristle brush. Do NOT clean the heat sink with water, corrosive chemicals, detergent, etc.

## 8. Technical Data

### Battery Parameters

Datasheet	HYD 3000-EP	HYD 3680-EP	HYD 4000-EP	HYD 4600-EP	HYD 5000-EP	HYD 5500-EP	HYD 6000-EP
Battery type	Lithium-ion, Lead-acid						
Nominal battery voltage	48V						
Battery voltage range	42-58V						
Battery capacity	50-2000Ah						
Maximum charging / discharging power	3750W	4000W	4250W	5000W	5000W	5000W	5000W
Maximum charging current	75A	80A	85A	100A	100A	100A	100A
Maximum discharging current	75A	80A	85A	100A	100A	100A	100A
Depth of discharge	0-90% DOD adjustable (Lithium-ion)						
	0-50% DOD adjustable (Lead-acid)						
Charging curve	BMS (Lithium-ion)						
	3-Stage adaptive with maintenance (Lead-acid)						
Communication	CAN(RS485)						

## PV String Input Data

Datasheet	HYD 3000-EP	HYD 3680-EP	HYD 4000-EP	HYD 4600-EP	HYD 5000-EP	HYD 5500-EP	HYD 6000-EP
Recommended Max. PV input power(Wp)	4500Wp	5400Wp	6000Wp	6900Wp	7500Wp	7500Wp	9000Wp
Max. DC power for single MPPT	3500W	3500W	3500W	3500W	3500W	3500W	3500W
Max. input voltage	600V						
Rated input voltage	360V						
Start-up voltage	100V						
MPPT operating voltage range	90-580V						
Full power MPPT voltage range(V)	160-520	180-520	200-520	230-520	250-520	250-520	300-520
Number of MPP trackers	2						
Max. input current per MPPT	13A/13A						
Max. input short circuit current per MPPT	18A/18A						

## AC Output Data (ON-Grid )

Datasheet	HYD 3000-EP	HYD 3680-EP	HYD 4000-EP	HYD 4600-EP	HYD 5000-EP	HYD 5500-EP	HYD 6000-EP
Nominal AC power (W)	3000	3680	4000	4600	5000	5000	6000
Max. AC power output to utility grid (VA)	3300	3680	4400	4600	5000	5500	6000
Max. AC power from utility grid(VA)	6000	7360	8000	9200	10000	10000	12000
Rated AC current output to utility grid	13A	16A	17.4A	20A	21.7A	21.7A	26.1A
Max. AC current output to utility grid	15A	16A	20A	20.9A	21.7A	25A	27.3A
Max. AC current from utility grid	27.3A	32A	36.4A	41.8A	43.4A	43.4A	54.6A
Nominal grid voltage	L/N/PE, 220Vac, 230Vac,240Vac						
Grid voltage range	180Vac~276Vac(According to local standard)						
Nominal frequency	50/60Hz						
Grid Frequency range	45Hz~55Hz/55Hz~65Hz						
Power factor	1 default (adjustable+/-0.8)						
Output THDi (@Nominal output)	<3%						

### AC Output Data (Off-Grid )

Datasheet	HYD 3000-EP	HYD 3680-EP	HYD 4000-EP	HYD 4600-EP	HYD 5000-EP	HYD 5500-EP	HYD 6000-EP
Rated apparent power (VA)	3000	3680	4000	4600	5000	5000	5000
Max. apparent power (VA)	3000	3680	4000	4600	5000	5000	5000
Peak output power,Duration	3600VA, 60s	4400VA, 60s	4800VA, 60s	5520VA, 60s	6000VA, 60s	6000VA, 60s	6000VA, 60s
Rated output current	13A	16A	17.4A	20A	21.7A	21.7A	26.1A
Max. output current	13.6A	16A	18.2A	20.9A	22.7A	22.7A	22.7A
Nominal voltage,Frequency	L/N/PE, 220V/230V/240V 50/60Hz						
THDv (@Liner load)	<3%						
Switch time	10ms(default)						



**Efficiency And Protection**

Datasheet	HYD 3000-EP	HYD 3680-EP	HYD 4000-EP	HYD 4600-EP	HYD 5000-EP	HYD 5500-EP	HYD 6000-EP
MPPT efficiency	99.9%						
European efficiency of solar inverter	97.2%	97.2%	97.2%	97.3%	97.3%	97.3%	97.5%
Max efficiency of solar inverter	97.6%	97.6%	97.6%	97.8%	97.8%	97.8%	98.0%
Max. charging efficiency of battery	94.6%						
Max. discharging efficiency of battery	94.6%						
DC switch	Yes						
PV reverse polarity protection	Yes						
Over current protection	Yes						
Over voltage protection	Yes						
PV insulation detection	Yes						
Ground fault monitoring	Yes						
Firm frequency response function	Optional						
SPD protection	MOV:Type III standard						

## General Data

Datasheet	HYD 3000-EP	HYD 3680-EP	HYD 4000-EP	HYD 4600-EP	HYD 5000-EP	HYD 5500-EP	HYD 6000-EP
Dimension	482mm×503mm×183mm						
Weight	21.5kg						
Topology	High frequency insulation (for bat)						
Standby self-consumption	<10W						
Ambient temperature range	-30°C~60°C (Above 45°C Derating)						
Allowable relative humidity range	0~100%						
Noise	<25dB						
Max. operating altitude	<4000m						
Cooling	Natural						
Degree of protection	IP65						

## Feature And Standard

Datasheet	HYD 3000-EP	HYD 3680-EP	HYD 4000-EP	HYD 4600-EP	HYD 5000-EP	HYD 5500-EP	HYD 6000-EP
Display	LCD						
Communication	Bluetooth / RS485 / WIFI / GPRS (optional)						
Parallel operation	YES						
Grid standards	AS4777.2、CEI0-21、EN 50530、EN 50549-1、G98、G99、IEC 60225、NRS 097:-2-1、NTS 631 TypeA、RD 647/2020、UNE 217001、UNE 217002-2020、VDE0126、VDE4105、Denmark Type A and B Version 1.1:2019						
Safety standards	IEC 62109、IEC/EN 62109-1、IEC62116,IEC61727、IEC 60068、ROHS、RED						
EMC	EN 61000-6-1、EN 61000-6-3+A1、EN 61000-6-2、EN 61000-6-4+A1:2011、EN 61000-3-2、EN 61000-3-2、EN 61000-3-11、EN 61000-3-12						

## 9. Quality Assurance

### Standard warranty period

The standard warranty period of inverter is 60 months (5 years). There are two calculation methods for the warranty period:

1. Purchase invoice provided by the customer: the first flight provides a standard warranty period of 60 months (5 years) from the invoice date;
2. The customer fails to provide the invoice: from the production date (according to the SN number of the machine), Our company provides a warranty period of 63 months (5.25 years).
3. In case of any special warranty agreement, the purchase agreement shall prevail.

### Extended warranty period

Within 12 months of the purchase of the inverter (based on the purchase invoice) or within 24 months of the production of the inverter(SN number of machine, based on the first date of arrival),Customers can apply to buy extended warranty products from the company's sales team by providing the product serial number, Our company may refuse to do not conform to the time limit extended warranty purchase application. Customers can buy an extended warranty of 5, 10, 15 years.

If the customer wants to apply for the extended warranty service, please contact the sales team of our company. to purchase the products that are beyond the purchase period of extended warranty but have not yet passed the standard quality warranty period. Customers shall bear different extended premium.

During the extended warranty period, pv components GPRS, WIFI and lightning protection devices are not included in the extended warranty period. If they fail during the extended warranty period, customers need to purchase and replace them from our company.

Once the extended warranty service is purchased, our company will issue the extended warranty card to the customer to confirm the extended warranty period.

### Invalid warranty clause

Equipment failure caused by the following reasons is not covered by the warranty:

- 1) The "warranty card" has not been sent to the distributor or our company;

- 2) Without the consent of our company to change equipment or replace parts;
- 3) Use unqualified materials to support our company's products, resulting in product failure;
- 4) Technicians of non-company modify or attempt to repair and erase the product serial number or silk screen;
- 5) Incorrect installation, debugging and use methods;
- 6) Failure to comply with safety regulations (certification standards, etc.);
- 7) Damage caused by improper storage by dealers or end users;
- 8) Transportation damage (including scratches caused by internal packaging during transportation). Please claim directly from the transportation company or insurance company as soon as possible and obtain damage identification such as container/package unloading;
- 9) Failure to follow the product user manual, installation manual and maintenance guidelines;
- 10) Improper use or misuse of the device;
- 11) Poor ventilation of the device;
- 12) The product maintenance process does not follow relevant standards;
- 13) Failure or damage caused by natural disasters or other force majeure (such as earthquake, lightning strike, aware fire, etc.)

## **Statement**

If you have purchased this product in Australia, you should be aware that this warranty is provided in addition to other rights and remedies held by a consumer at law.

Our goods come with guarantees that cannot be excluded under the Australian Consumer Law. You are entitled to a replacement or refund for a major failure and compensation for any other reasonably foreseeable loss or damage. You are also entitled to have the goods repaired or replaced if the goods fail to be of acceptable quality and the failure does not amount to a major failure.

Version 2.0—February 2023



ENERGY TO POWER YOUR LIFE

**ADDRESS**

11th Floor, Gaoxingqi Technology Building,  
District 67, Xingdong Community, Xin'an Street,  
Bao'an District, Shenzhen, China

**EMAIL**

[info@sofarsolar.com](mailto:info@sofarsolar.com)

**WEBSITE**

[www.sofarsolar.com](http://www.sofarsolar.com)

